



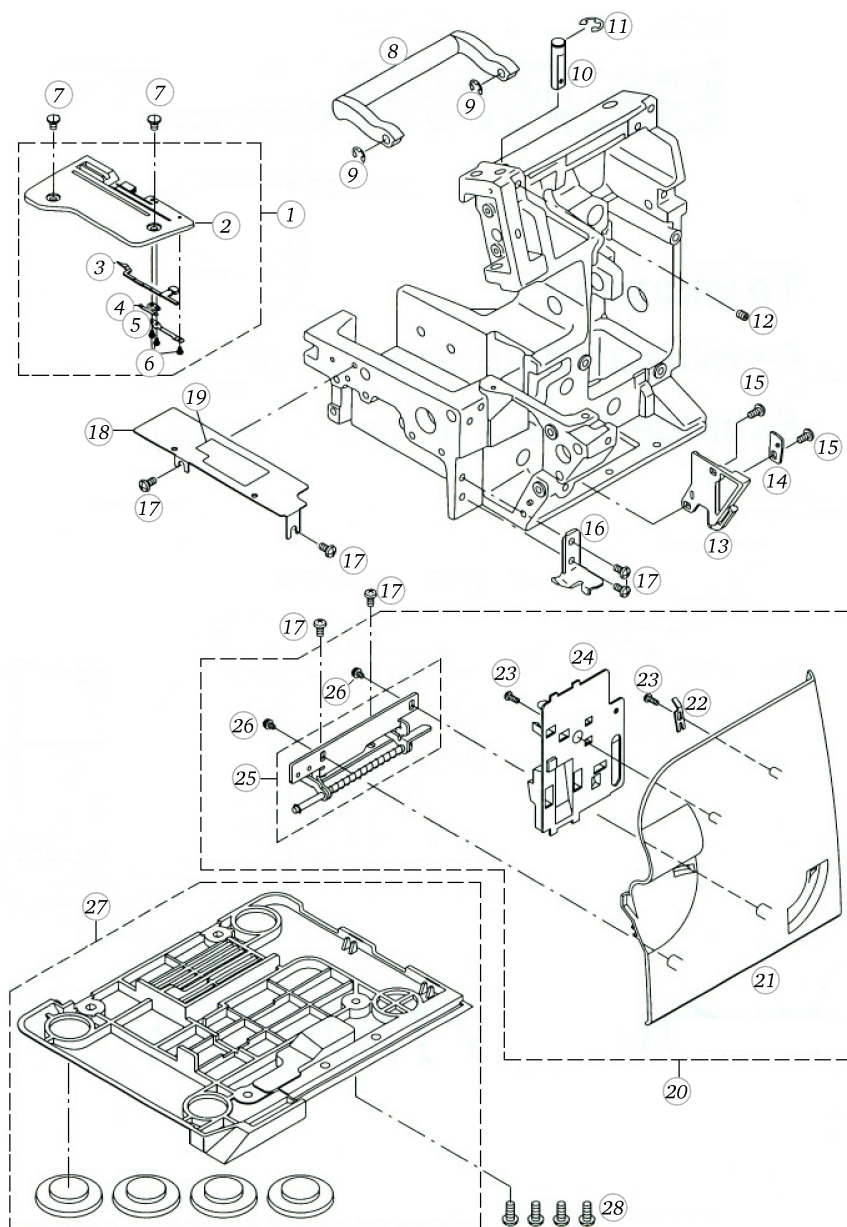
Spare Parts

BERNINA
230/240V

1100DA

BERNINA 1100DA 230/240V

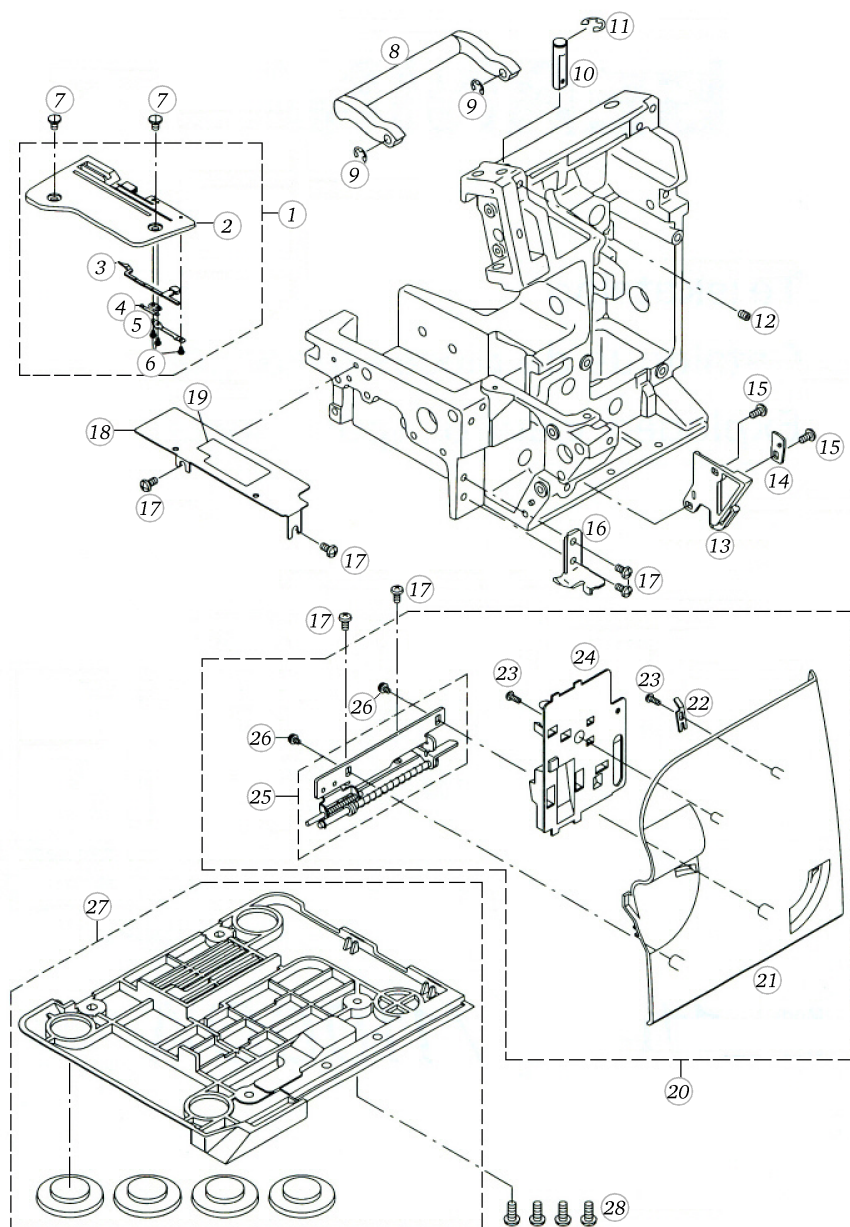
Foundations (1100D)



Pos	Item number	Description	Supplier Part no.
1	5020105988	THROAT PLATE (MAS.ASM.)	A11151100B0A
2	5020105431	THROAT PLATE (ASM.)	A11151100A0
3	5020105992	THROAT PLATE THR.SLIP(ASM.)	A1136314DA0A
4	5020100068	LATCH PRESSER SPRING	A1131203000
5	5020100069	THREAD SLIP GUIDE	A1132334000
6	5020106194	SCREW	JSM4020351SC
7	5020106810	SCREW	A1138335000
8	5020105439	HANDLE	A1145110000
9	5020100796	E-RING	JRE0500000K0
10	5020105475	GUIDE PLATE SUPP.SHAFT	
11	RE0700000K0	E-RING	
12	5020100839	SCREW	JSM8050602TP
13	5020105445	LOOPER COVER GUIDE	A1156110000
14	5020105361	PLATE	
15	5020106602	SCREW	SM4040855SN
16	5020106814	CLOTH PLATE PRESSER PLATE	A1164535000
17	5020100828	SCREW	JSM5040855SN
18	0000000999	(no longer available)	
18	5020106809	UP COVER	A1135535000
19	5020100763	CAUTION LABEL(UL,CSA)	A9196524000
20	0000000999	(no longer available)	
21	0000000999	(no longer available)	
22	5020100105	LOOPER COVER ADJ.PLATE	A1156776000
23	5020100847	SCREW	JST5030851SN
24	5020105446	ACCESSORY ENCL.PLATE	A1157776000B
25	5020105444	LOOPER COVER HINGE(ASM.)	A11531100A0
26	5020100800	SCREW	JSL4030631SC
27	5020105661	BASE PLATE (ASM.)	
28	5020100831	SCREW	JSM5051255SN

BERNINA 1100DA 230/240V

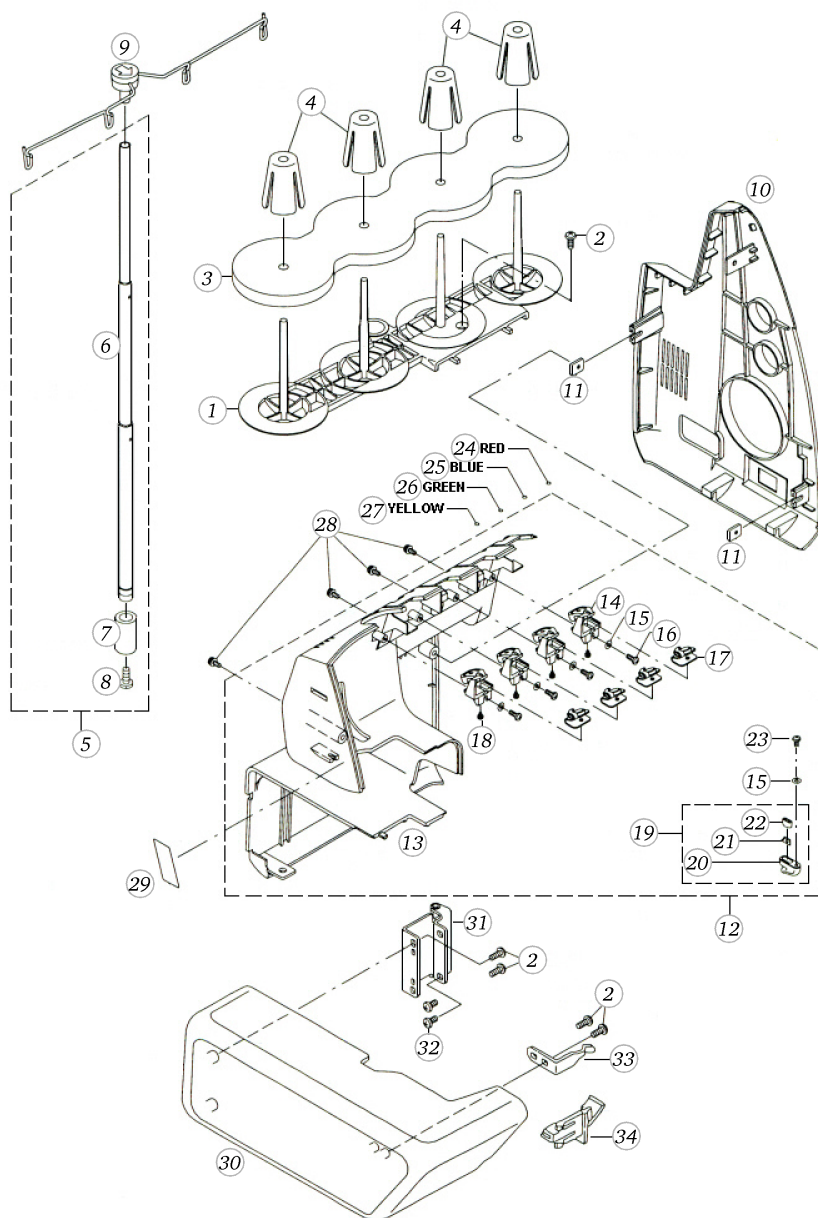
Foundations (1100DA)



Pos	Item number	Description	Supplier Part no.
1	5020105988	THROAT PLATE (MAS.ASM.)	A11151100B0A
2	5020105431	THROAT PLATE (ASM.)	A11151100A0
3	5020105992	THROAT PLATE THR.SLIP(ASM.)	A1136314DA0A
4	5020100068	LATCH PRESSER SPRING	A1131203000
5	5020100069	THREAD SLIP GUIDE	A1132334000
6	5020106194	SCREW	JSM4020351SC
7	5020106810	SCREW	A1138335000
8	5020105439	HANDLE	A1145110000
9	5020100796	E-RING	JRE0500000K0
10	5020105475	GUIDE PLATE SUPP.SHAFT	
11	RE0700000K0	E-RING	
12	5020100839	SCREW	JSM8050602TP
13	5020105445	LOOPER COVER GUIDE	A1156110000
14	5020105361	PLATE	
15	5020106602	SCREW	SM4040855SN
16	5020106814	CLOTH PLATE PRESSER PLATE	A1164535000
17	5020100828	SCREW	JSM5040855SN
18	0000000999	(no longer available)	
18	5020106809	UP COVER	A1135535000
19	5020100763	CAUTION LABEL(UL,CSA)	A9196524000
20	0000000999	(no longer available)	
21	5020105667	LOOPER COVER 1100DA	
22	5020100105	LOOPER COVER ADJ.PLATE	A1156776000
23	5020100847	SCREW	JST5030851SN
24	5020105446	ACCESSORY ENCL.PLATE	A1157776000B
25	5020105668	LOOPER COVER HINGE(ASM) 1	A115311A0A0
26	5020100800	SCREW	JSL4030631SC
27	5020105661	BASE PLATE (ASM.)	
28	5020100831	SCREW	JSM5051255SN

BERNINA 1100DA 230/240V

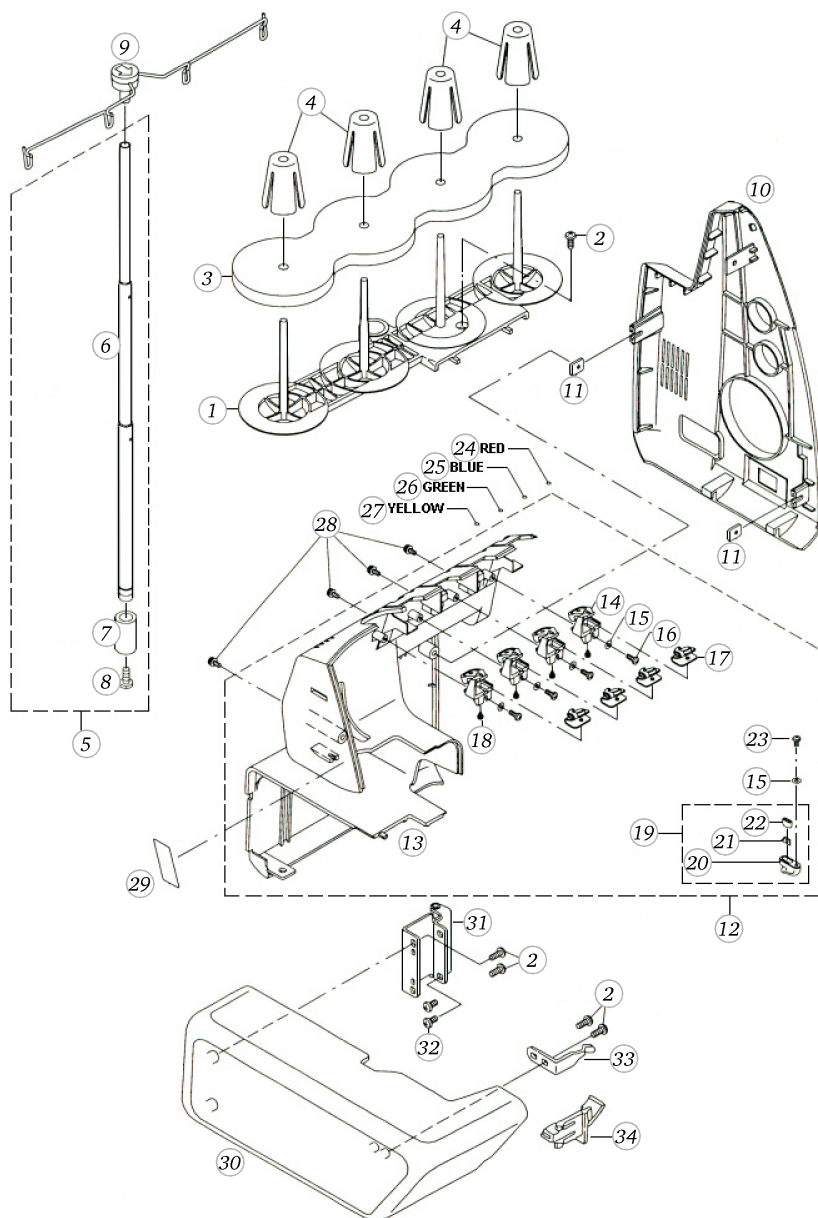
Thread stand (1100D UL / CSA)



Pos	Item number	Description	Supplier Part no.
1	5020105989	SPOOL HOLDER DISK	A1118776000B
2	5020106115	SCREW	JST5041051SN
3	5020100054	FOAM PAD 2000	A1121776000
4	5020100875	SPOOL RETAINER 203	J50000103
5	5020105990	SUPPORTING ROAD (ASM.)	A11207760A0B
6	5020107485	SUPPORTING ROD	J40082787
7	5020105436	USE A1129776000B	
8	5020100831	SCREW	JSM5051255SN
9	5020105435	SPOOL HOLDER THR.GUIDE(ASM.)	A11211100A0
10	5020107686	SIDE COVER	A1103324000
11	5020106837	NUT	A3151535000
12	5020107591	REAR COVER (ASM.)	A11061100A0B
13	5020105429	REAR COVER	
14	5020106754	1ST THREAD GUIDE	A3303110000A
15	5020100849	WASHER	JWP0320501SC
16	5020100847	SCREW	JST5030851SN
17	5020100464	1ST THREAD GUIDE ASM.	A31017760A0
18	5020100798	SCREW	
19	5020105665	THR.CUTTER BASE PLATE(ASM.)	A11381100A0
20	5020105437	THR.CUTTER BASE PLATE	
21	5020105338	THREAD CUTTER	
22	5020105210	THR.CUTTER HOLDER	A11399DC000
23	5020100846	SCREW	
24	5020105723	RED SEAL (192 PIECE)	A3151335000
25	5020105722	BLUE SEAL (192 PIECE)	A3150335000
26	5020105724	GREEN SEAL (192 PIECE)	A3157776000
27	5020105725	YELLOW SEAL (192 PIECE)	A3158776000
28	5020100803	SCREW	JSL5030831SF
29	5020105496	NEEDLE ATTACHING LABEL	
30	5020107249	CLOTH PLATE ASM.	A1104644000B
31	5020106813	CLOTH PLATE HINGE	A11615350A0
32	5020100808	SCREW	
33	5020105669	CLOTH PLATE OPENING SPRING	A1160634000
34	5020105986	CLOTH PLATE COVER	A1104644A00A

BERNINA 1100DA 230/240V

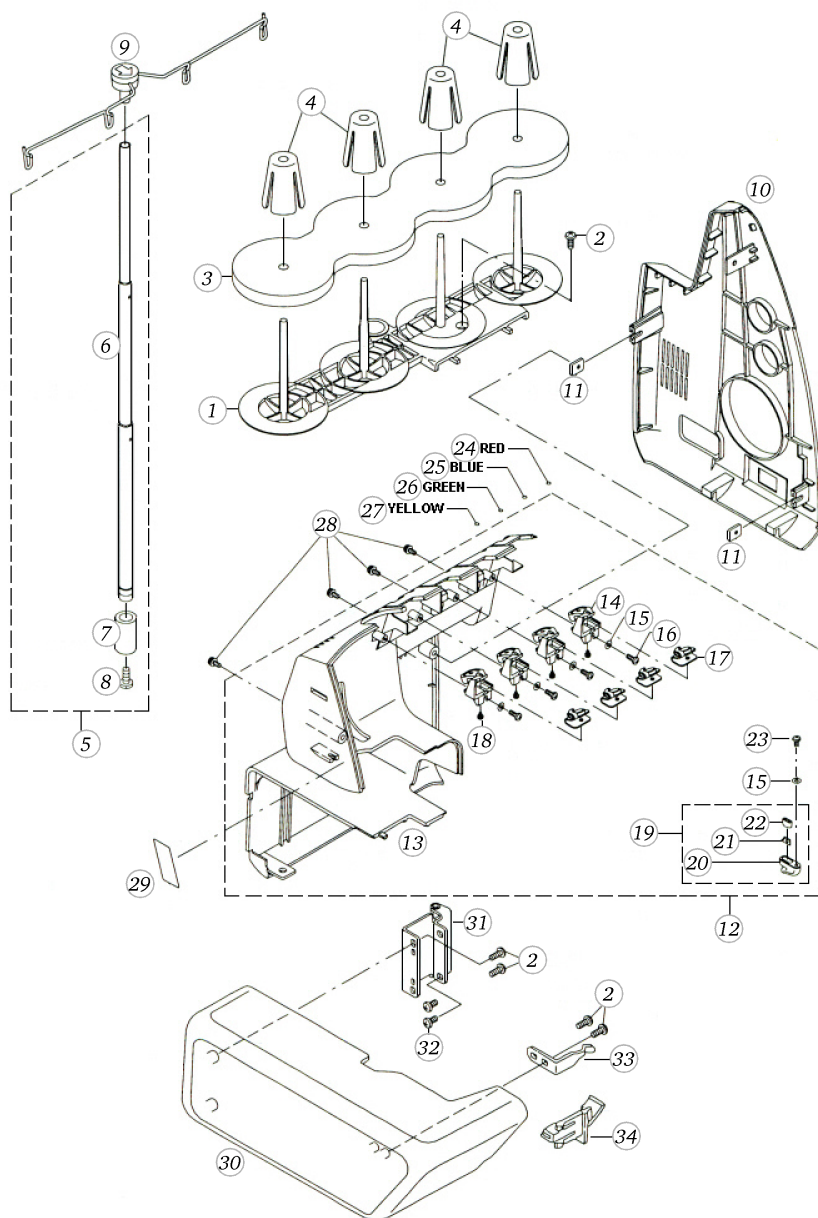
Thread stand (1100D CE / SAA / SEV)



Pos	Item number	Description	Supplier Part no.
1	5020105989	SPOOL HOLDER DISK	A1118776000B
2	5020106115	SCREW	JST5041051SN
3	5020100054	FOAM PAD 2000	A1121776000
4	5020100875	SPOOL RETAINER 203	J50000103
5	5020105990	SUPPORTING ROAD (ASM.)	A11207760A0B
6	5020107485	SUPPORTING ROD	J40082787
7	5020105436	USE A1129776000B	
8	5020100831	SCREW	JSM5051255SN
9	5020105435	SPOOL HOLDER THR.GUIDE(ASM.)	A11211100A0
10	5020107686	SIDE COVER	A1103324000
11	5020106837	NUT	A3151535000
12	5020107591	REAR COVER (ASM.)	A11061100A0B
13	5020105429	REAR COVER	
14	5020106754	1ST THREAD GUIDE	A3303110000A
15	5020100849	WASHER	JWP0320501SC
16	5020100847	SCREW	JST5030851SN
17	5020100464	1ST THREAD GUIDE ASM.	A31017760A0
18	5020100798	SCREW	
19	5020105665	THR.CUTTER BASE PLATE(ASM.)	A11381100A0
20	5020105437	THR.CUTTER BASE PLATE	
21	5020105338	THREAD CUTTER	
22	5020105210	THR.CUTTER HOLDER	A11399DC000
23	5020100846	SCREW	
24	5020105723	RED SEAL (192 PIECE)	A3151335000
25	5020105722	BLUE SEAL (192 PIECE)	A3150335000
26	5020105724	GREEN SEAL (192 PIECE)	A3157776000
27	5020105725	YELLOW SEAL (192 PIECE)	A3158776000
28	5020100803	SCREW	JSL5030831SF
29	5020105721	NEEDLE ATTACHING LABEL	
30	5020107249	CLOTH PLATE ASM.	A1104644000B
31	5020106813	CLOTH PLATE HINGE	A11615350A0
32	5020100808	SCREW	
33	5020105669	CLOTH PLATE OPENING SPRING	A1160634000
34	5020105986	CLOTH PLATE COVER	A1104644A00A

BERNINA 1100DA 230/240V

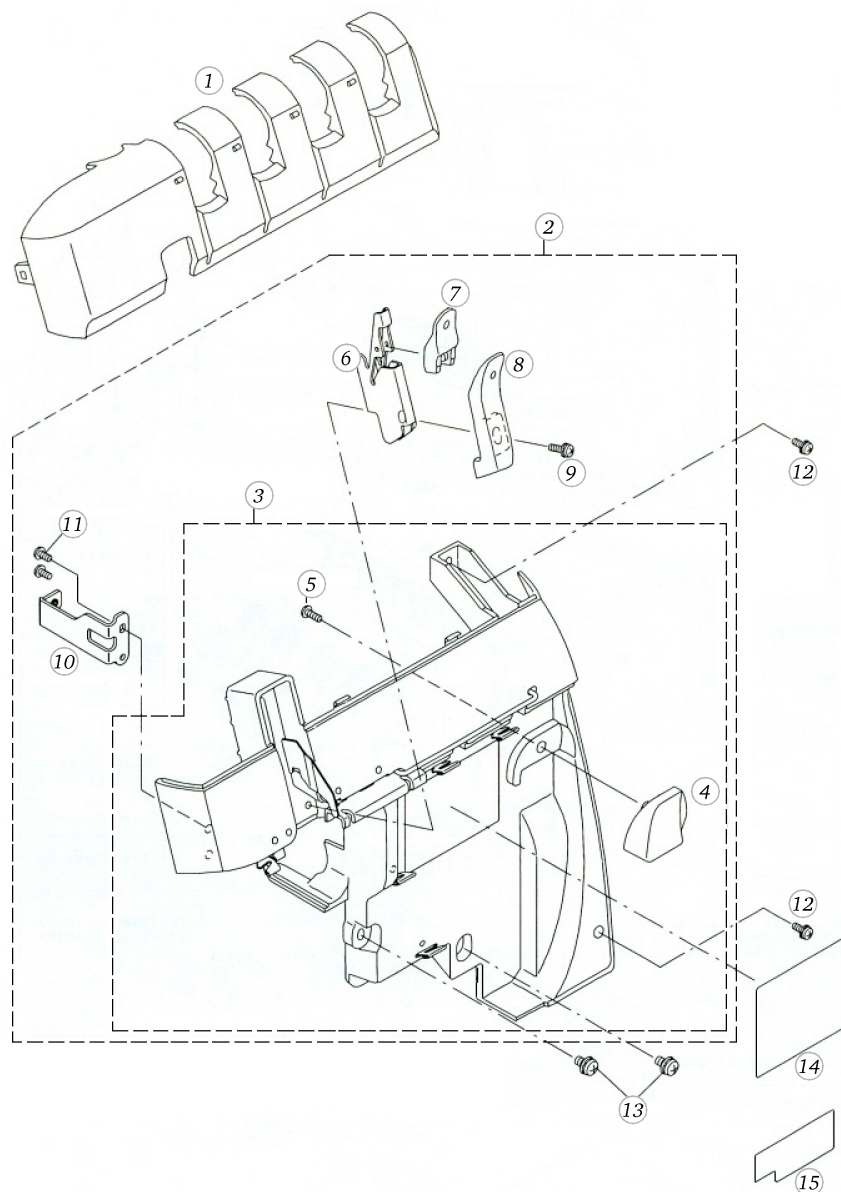
Thread stand (1100DA UL / CSA / CE / SAA / SEV)



Pos	Item number	Description	Supplier Part no.
1	5020105989	SPOOL HOLDER DISK	A1118776000B
2	5020106115	SCREW	JST5041051SN
3	5020100054	FOAM PAD 2000	A1121776000
4	5020100875	SPOOL RETAINER 203	J50000103
5	5020105990	SUPPORTING ROAD (ASM.)	A11207760A0B
6	5020107485	SUPPORTING ROD	J40082787
7	5020105436	USE A1129776000B	
8	5020100831	SCREW	JSM5051255SN
9	5020105435	SPOOL HOLDER THR.GUIDE(ASM.)	A11211100A0
10	5020107686	SIDE COVER	A1103324000
11	5020106837	NUT	A3151535000
12	5020106626	REAR COVER (ASM)	A11063240A0
13	5020106213	REAR COVER	
14	5020106754	1ST THREAD GUIDE	A3303110000A
15	5020100849	WASHER	JWP0320501SC
16	5020100847	SCREW	JST5030851SN
17	5020100464	1ST THREAD GUIDE ASM.	A31017760A0
18	5020100798	SCREW	
19	5020105665	THR.CUTTER BASE PLATE(ASM.)	A11381100A0
20	5020105437	THR.CUTTER BASE PLATE	
21	5020105338	THREAD CUTTER	
22	5020105210	THR.CUTTER HOLDER	A11399DC000
23	5020100846	SCREW	
24	5020105723	RED SEAL (192 PIECE)	A3151335000
25	5020105722	BLUE SEAL (192 PIECE)	A3150335000
26	5020105724	GREEN SEAL (192 PIECE)	A3157776000
27	5020105725	YELLOW SEAL (192 PIECE)	A3158776000
28	5020100803	SCREW	JSL5030831SF
29	5020105719	NEEDLE ATTACHING LABEL	A312111A000
30	5020107249	CLOTH PLATE ASM.	A1104644000B
31	5020106813	CLOTH PLATE HINGE	A11615350A0
32	5020100808	SCREW	
33	5020105669	CLOTH PLATE OPENING SPRING	A1160634000
34	5020105986	CLOTH PLATE COVER	A1104644A00A

BERNINA 1100DA 230/240V

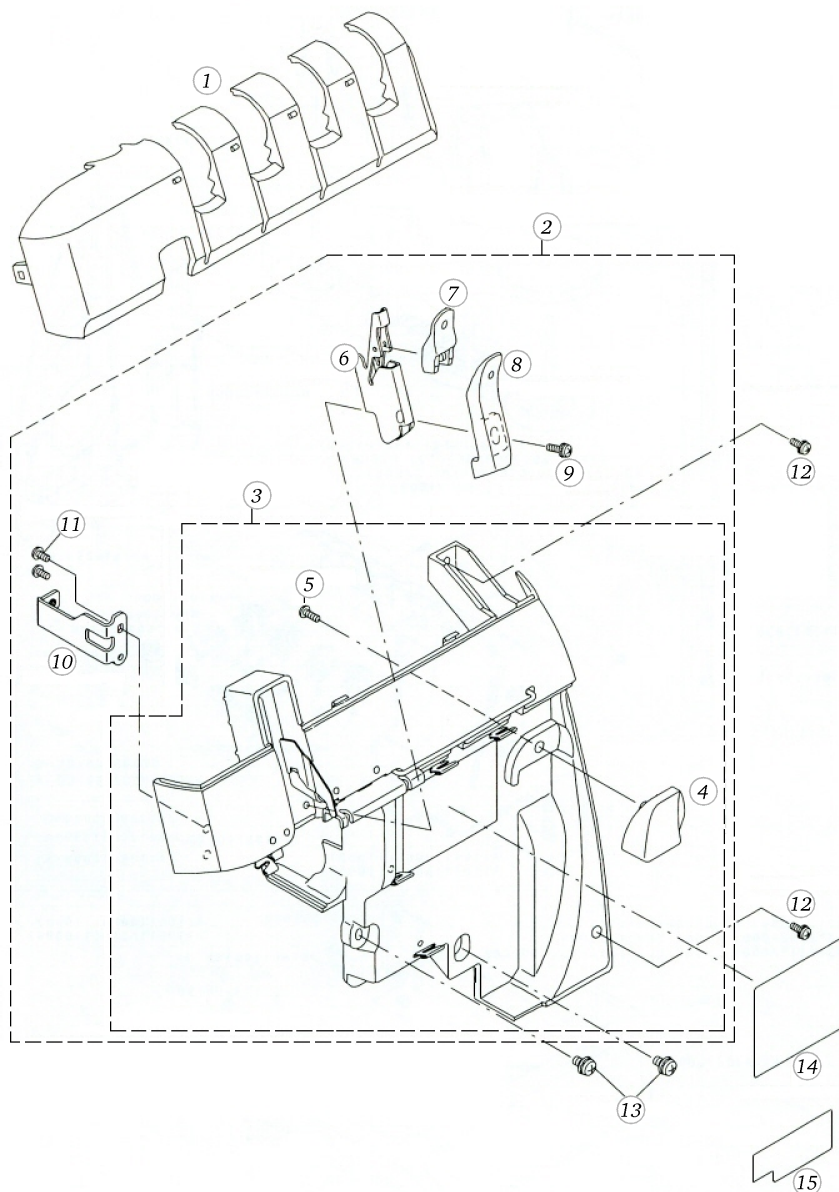
Thread tension (1100D)



Pos	Item number	Description	Supplier Part no.
1	5020106888	THREAD TENSION COVER	A3102110A00B
2	0000000999	(no longer available)	
3	5020105715	FRONT COVER(SUB.ASM.)	
4	5020105443	LOOPER COVER GUIDE PLATE	A1152110000
5	5020100847	SCREW	JST5030851SN
6	5020105492	NEEDLE THR.TAKE-UP GUIDE COVER	A3115110000
7	5020105494	USE A3117110000A	
8	5020105493	NEEDLE THR.TAKE-UP GUIDE COVER A	A3116110000
9	5020100804	SCREW	
10	5020105495	FRONT COVER INSTALL.HOLDER	
11	5020100846	SCREW	
12	5020100803	SCREW	JSL5030831SF
13	5020100807	SCREW	JSL5040835SN
14	5020105447	THREADING CHART	A1190110000
15	5020100763	CAUTION LABEL(UL,CSA)	A9196524000

BERNINA 1100DA 230/240V

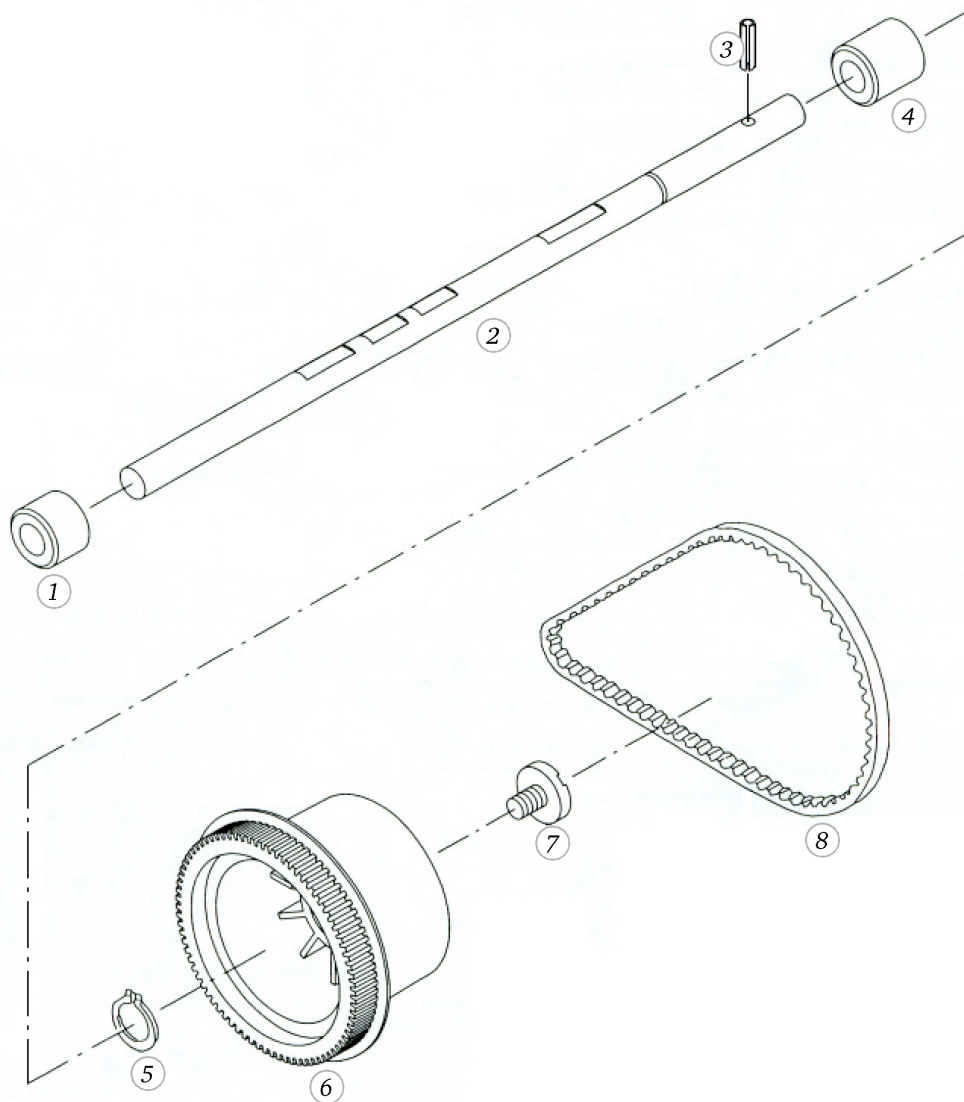
Thread tension (1100DA)



Pos	Item number	Description	Supplier Part no.
1	5020106888	THREAD TENSION COVER	A3102110A00B
2	5020105716	FRONT COVER(ASM.)	
3	5020105717	FRONT COVER(SUB.ASM.)	A310111AKA0
4	5020105443	LOOPER COVER GUIDE PLATE	A1152110000
5	5020100847	SCREW	JST5030851SN
6	5020105492	NEEDLE THR.TAKE-UP GUIDE COVER	A3115110000
7	5020105494	USE A3117110000A	
8	5020105493	NEEDLE THR.TAKE-UP GUIDE COVER A	A3116110000
9	5020100804	SCREW	
10	5020105495	FRONT COVER INSTALL.HOLDER	
11	5020100846	SCREW	
12	5020100803	SCREW	JSL5030831SF
13	5020100807	SCREW	JSL5040835SN
14	5020105447	THREADING CHART	A1190110000
15	5020100763	CAUTION LABEL(UL,CSA)	A9196524000

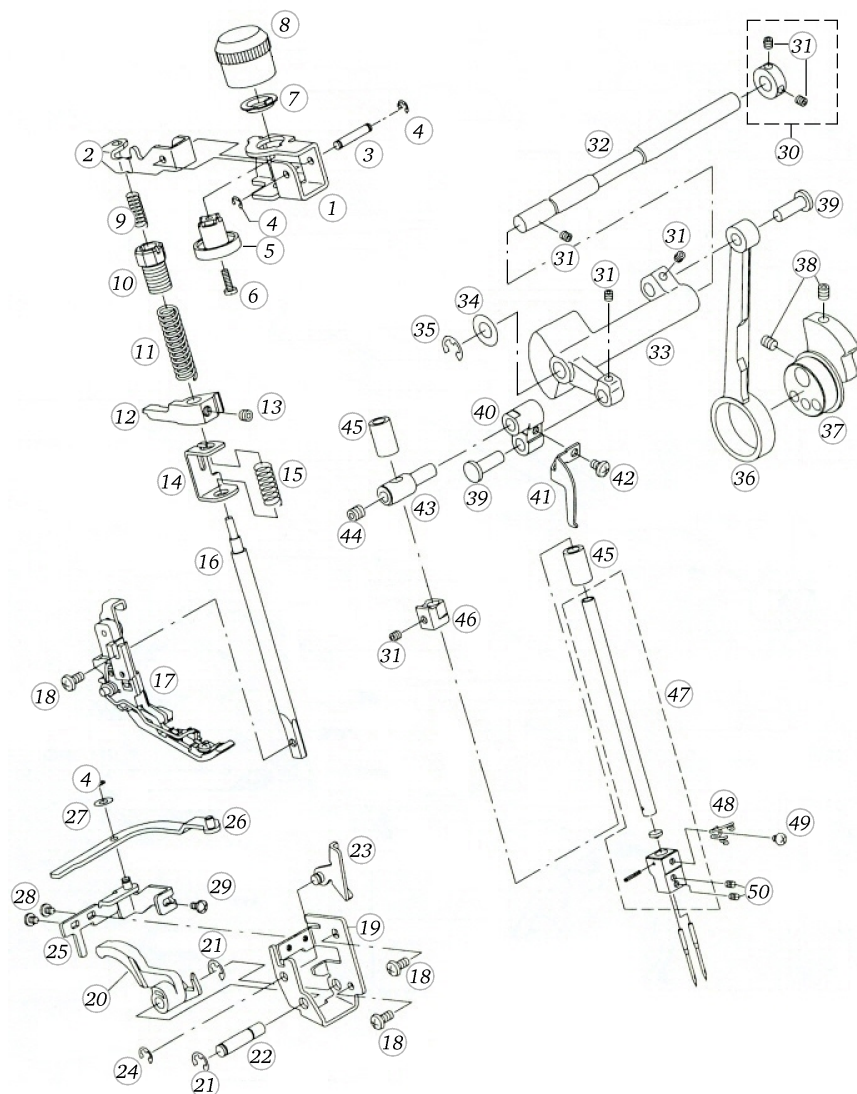
Main shaft with hand wheel

Pos	Item number	Description	Supplier Part no.
1	5020106816	MAIN SHAFT BUSHING GEAR	
2	5020107605	MAIN SHAFT	J40071771
3	5020100900	COILED PIN	
4	5020106815	MAIN SHAFT BUSHING GEAR	
5	5020100137	C-RING	A1206102000
6	5020106707	HANDWHEEL	A1202323000
7	5020100142	SCREW	A1230500000A
8	5020100136	TIMING BELT	A1205634000



BERNINA 1100DA 230/240V

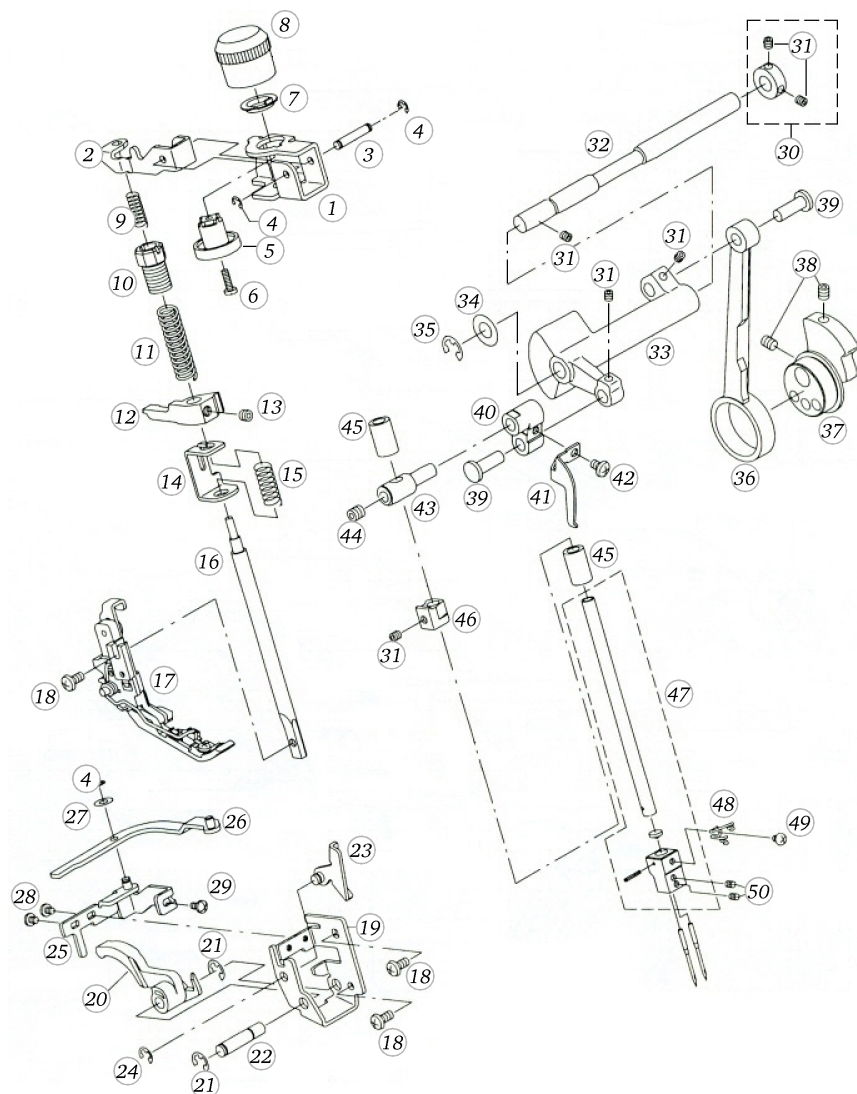
Needlesystem (1100D)



Pos	Item number	Description	Supplier Part no.
1	5020105469	PRESSER FOOT ADJ.KNOB	A1525110000
2	5020105470	PRESSER FOOT ADJ.ARM	
3	5020105471	PRESSER FOOT ADJ.ARM SHAFT	
4	5020100794	E-RING	JRE0300000K0
5	5020105463	PRESSER FOOT ADJ.CAM	A1511110000
6	5020106605	SCREW	ST5031051SN
7	5020105095	LOWER KNIFE ADJ. BASE BUSH	A4132535000
8	5020105462	PRESSER FOOT ADJ.SCREW	A1510110000
9	5020105461	SPRING	A1508110000
10	5020105472	SCREW	A1528110000
11	5020106000	PRESSER SPRING	A1501535000
12	5020105456	PRESSER BAR GUIDE BRACKET	
13	5020100838	SCREW	JSM8050402TP
14	5020105467	PRESSER LIFT PLATE	
15	5020105468	SPRING	
16	5020105460	PRESSER BAR	A1507110000
17	5020105455	PRESSER FOOT 2(MAS.ASM.)	A15011100D0
18	5020100828	SCREW	JSM5040855SN
19	5020105457	LIFTING LEVER SET PLATE	
20	5020105459	LIFTING LEVER	A1506110000
21	5020100796	E-RING	JRE0500000K0
22	5020105458	LIFTING LEVER SHAFT	
23	5020105473	THR.TENS.REL.DRIVING ARM	
24	5020100795	E-RING	JRE0400000K0
25	5020105474	PRESS.BAR HOLD.GUIDE PLATE(ASM.)	
26	5020105476	THR.TENS.RELEASE LINK(ASM.)	
27	5020105317	WASHER	A1636534D00
28	5020100822	SCREW	
29	5020100824	SCREW	JSM5030655SN
30	5020100167	THRUST COLLAR ASM.	
31	5020100835	SCREW	JSM8040402TP
32	5020106818	MAIN SHAFT BUSHING SHAFT	
33	0000000999	(no longer available)	
34	5020100854	WASHER	

BERNINA 1100DA 230/240V

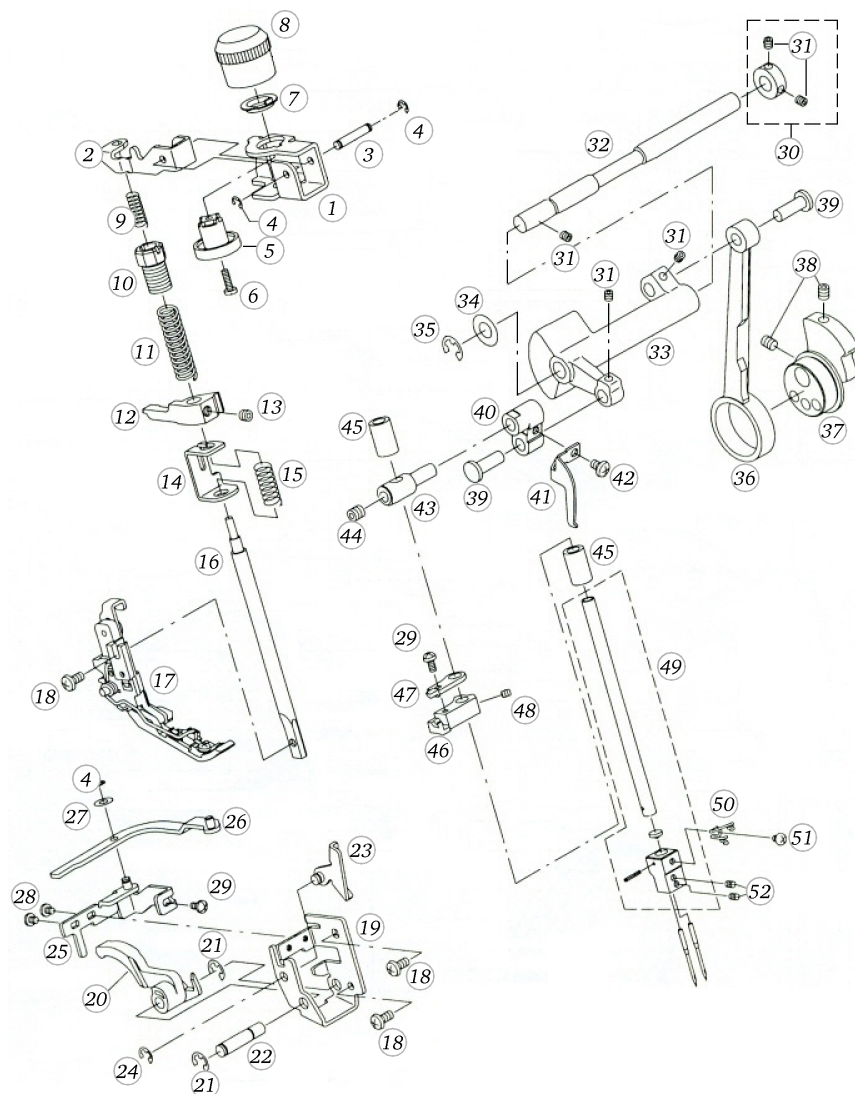
Needlesystem (1100D)



Pos	Item number	Description	Supplier Part no.
35	5020100797	E-RING	
36	5020100150	NEEDLE BAR CRANK ROD	A1403335000A
37	5020106817	Needle bar driving cam	A1401535000A
38	5020100839	SCREW	JSM8050602TP
39	5020100148	CONNECTING PIN	A1403102000
40	5020106821	NEEDLE BAR LINK	A1412535000
41	5020105451	NEEDLE THR.TAKE-UP	A1412110000
42	5020100819	SCREW	JSM4040655SN
43	5020106820	Needle bar bracket	A1411335000
44	5020100840	SCREW	
45	5020106819	NEEDLE BAR BUSHING	A1407102000
46	5020105452	NEEDLE THR.TAKE-UP BASE	
47	5020101916	NEEDLE BAR CPL.	J50176604
48	5020101904	NEEDLE BAR GUIDE	J50175403
49	5020100815	SCREW	JSM4030455SN
50	5020105412	NEEDLE SET SCREW	A1416777000

BERNINA 1100DA 230/240V

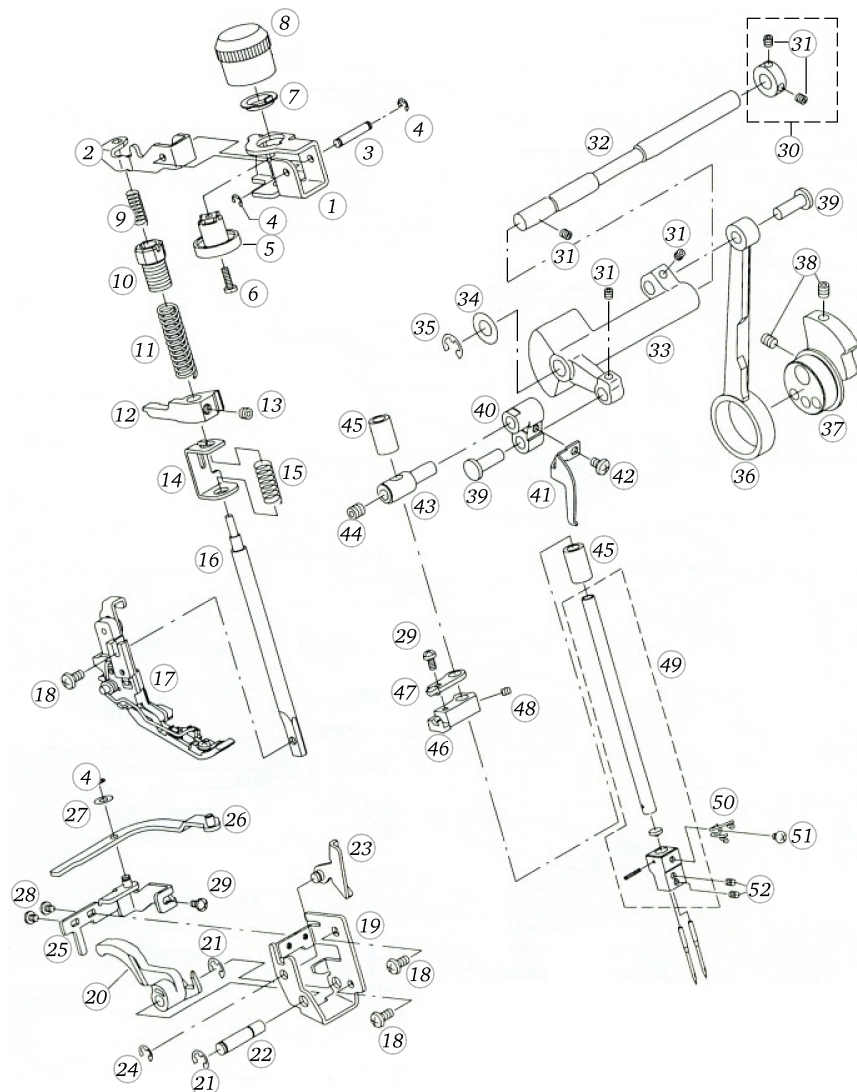
Needlesystem (1100DA)



Pos	Item number	Description	Supplier Part no.
1	5020105469	PRESSER FOOT ADJ.KNOB	A1525110000
2	5020105470	PRESSER FOOT ADJ.ARM	
3	5020105471	PRESSER FOOT ADJ.ARM SHAFT	
4	5020100794	E-RING	JRE0300000K0
5	5020105463	PRESSER FOOT ADJ.CAM	A1511110000
6	5020106605	SCREW	ST5031051SN
7	5020105095	LOWER KNIFE ADJ. BASE BUSH	A4132535000
8	5020105462	PRESSER FOOT ADJ.SCREW	A1510110000
9	5020105461	SPRING	A1508110000
10	5020105472	SCREW	A1528110000
11	5020106000	PRESSER SPRING	A1501535000
12	5020105456	PRESSER BAR GUIDE BRACKET	
13	5020100838	SCREW	JSM8050402TP
14	5020105467	PRESSER LIFT PLATE	
15	5020105468	SPRING	
16	5020105460	PRESSER BAR	A1507110000
17	5020105455	PRESSER FOOT 2(MAS.ASM.)	A15011100D0
18	5020100828	SCREW	JSM5040855SN
19	5020105457	LIFTING LEVER SET PLATE	
20	5020105459	LIFTING LEVER	A1506110000
21	5020100796	E-RING	JRE0500000K0
22	5020105458	LIFTING LEVER SHAFT	
23	5020105473	THR.TENS.REL.DRIVING ARM	
24	5020100795	E-RING	JRE0400000K0
25	5020105474	PRESS.BAR HOLD.GUIDE PLATE(ASM.)	
26	5020105476	THR.TENS.RELEASE LINK(ASM.)	
27	5020105317	WASHER	A1636534D00
28	5020100822	SCREW	
29	5020100824	SCREW	JSM5030655SN
30	5020100167	THRUST COLLAR ASM.	
31	5020100835	SCREW	JSM8040402TP
32	5020106818	MAIN SHAFT BUSHING SHAFT	
33	0000000999	(no longer available)	
34	5020100854	WASHER	

BERNINA 1100DA 230/240V

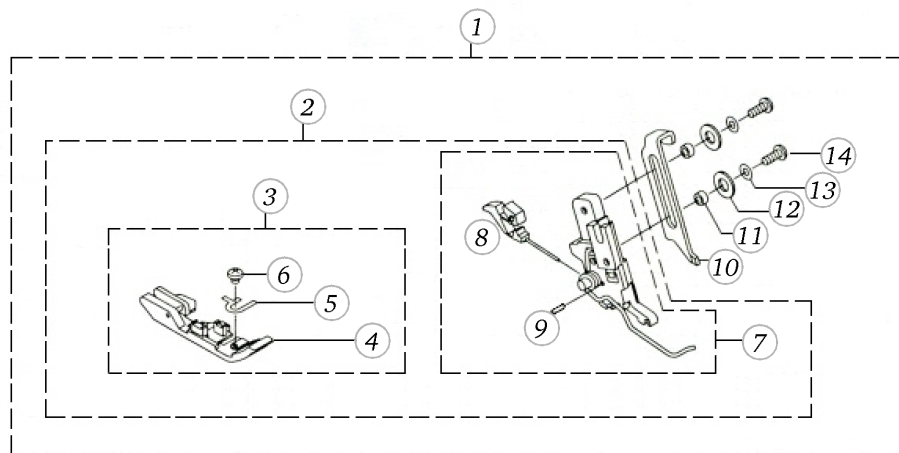
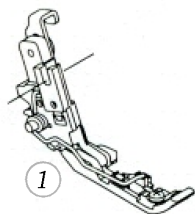
Needlesystem (1100DA)



Pos	Item number	Description	Supplier Part no.
35	5020100797	E-RING	
36	5020100150	NEEDLE BAR CRANK ROD	A1403335000A
37	5020106817	Needle bar driving cam	A1401535000A
38	5020100839	SCREW	JSM8050602TP
39	5020100148	CONNECTING PIN	A1403102000
40	5020106821	NEEDLE BAR LINK	A1412535000
41	5020105451	NEEDLE THR.TAKE-UP	A1412110000
42	5020100819	SCREW	JSM4040655SN
43	5020106820	Needle bar bracket	A1411335000
44	5020100840	SCREW	
45	5020106819	NEEDLE BAR BUSHING	A1407102000
46	5020105670	THREADING ADJ.PLATE(A)	A142011A000
47	5020105671	THREADING ADJ.PLATE(B)	A142111A000
48	5020100833	SCREW	JSM8030402TP
49	5020101916	NEEDLE BAR CPL.	J50176604
50	5020101904	NEEDLE BAR GUIDE	J50175403
51	5020100815	SCREW	JSM4030455SN
52	5020105412	NEEDLE SET SCREW	A1416777000

BERNINA 1100DA 230/240V

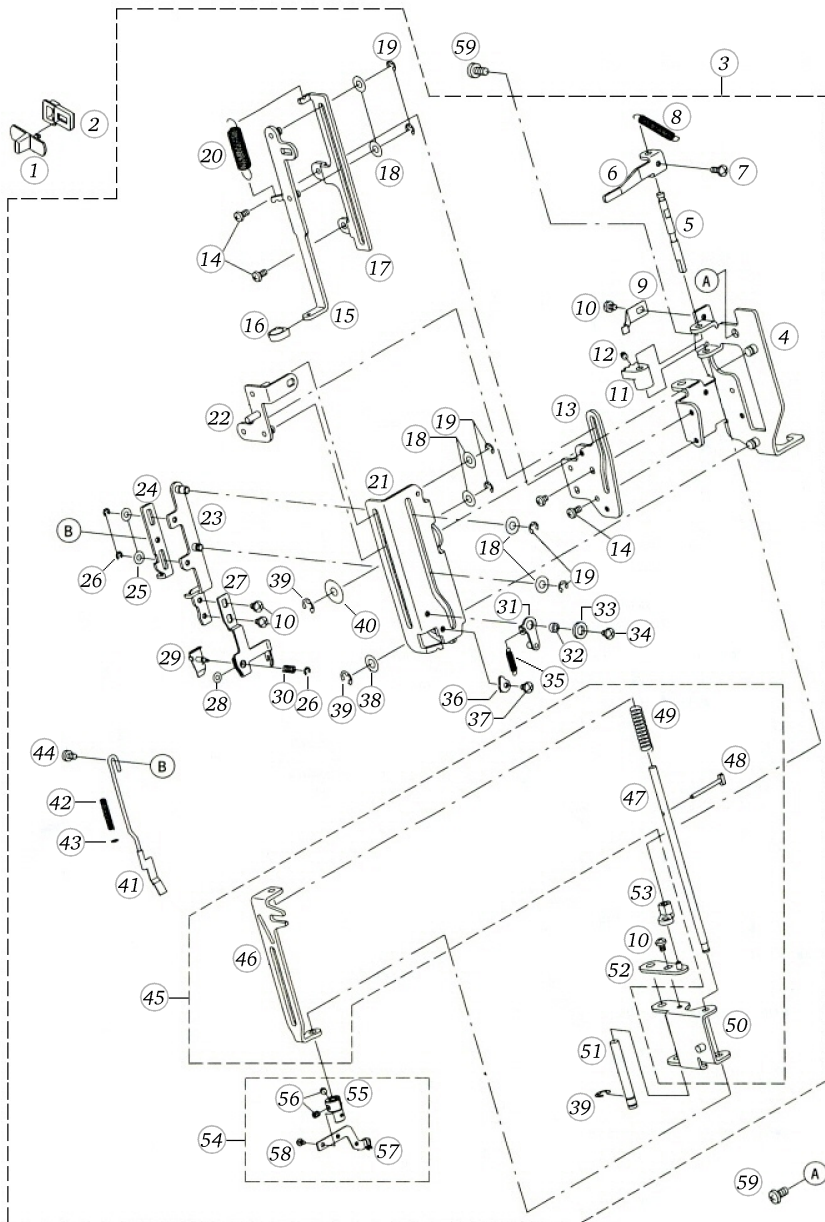
Presserfeet



Pos	Item number	Description	Supplier Part no.
1	5020105455	PRESSER FOOT 2(MAS.ASM.)	A15011100D0
2	5020105454	PRESSER FOOT 1(MAS.ASM.)	A15011100C0
3	5020105453	PRESSER FOOT 1100 CPL.	A15011100B0
4	5020105712	PRESSER FOOT	
5	5020100238	TAPE GUIDE	A1550334000
6	5020100814	SCREW	
7	5020105464	PRESSER FOOT SHANK(ASM.)	
8	5020100218	LEVER	A1518335000
9	5020100206	PIN	A1508134000
10	5020105465	PRESSER LIFT LINK	
11	5020105466	PRESSER LIFT LINK COLLAR	A1521110000
12	5020100851	WASHER	JWP0531000SC
13	5020100849	WASHER	JWP0320501SC
14	5020100825	SCREW	JSM5030855SN

BERNINA 1100DA 230/240V

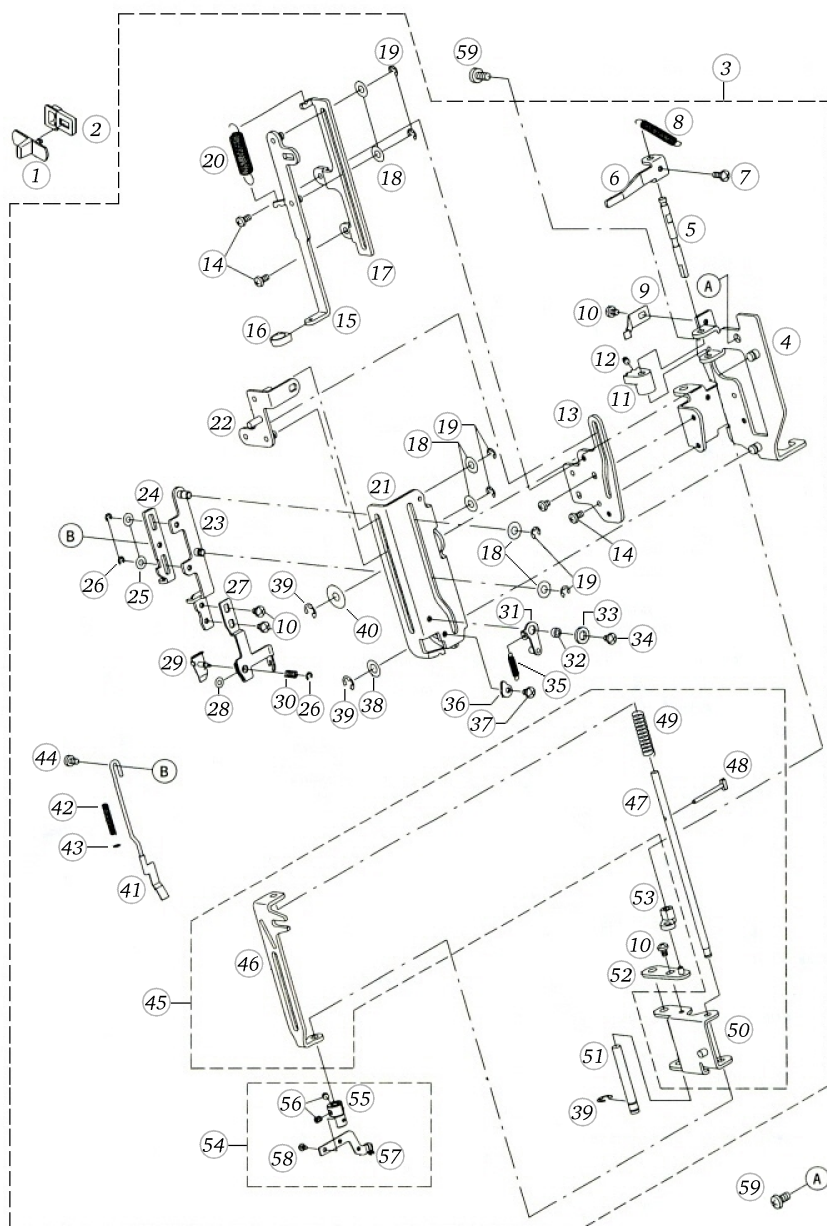
Threading system (UL / CSA)



Pos	Item number	Description	Supplier Part no.
1	0000000999	(no longer available)	
2	5020105693	SPRING 1100DA	A144611A000
3	5020105673	THR. SYSTEM(ASM.)WITH LAMP(UL/CSA)	
4	5020105672	THR.SYSTEM BASE PLATE(ASM.)	
5	5020105689	LEFT/RIGHT CHANGE CAM SHAFT	
6	5020105691	LEFT/RIGHT CHANGE LEVER	
7	5020100825	SCREW	JSM5030855SN
8	5020105695	FRONT/BACK OSC.PLATE SPRING	A145111A000
9	5020105690	LEFT/RIGHT SPRING	
10	5020100822	SCREW	
11	5020105688	LEFT/RIGHT CHANGE PLATE	
12	5020100833	SCREW	JSM8030402TP
13	5020105708	FRONT/BACK GUIDE PLATE	
14	5020100824	SCREW	JSM5030655SN
15	5020105709	THREADING LEVER(ASM.)	
16	5020105678	THREADING LEVER CAP	
17	5020105710	THR.LEVER BASE PLATE	
18	5020105317	WASHER	A1636534D00
19	5020100794	E-RING	JRE0300000K0
20	5020105711	THR.LEVER SPRING	A148611A000
21	5020105694	FRONT/BACK CHANGE KNOB	
22	5020105707	WIPER DRIVING LINK(ASM.)	
23	0000000999	(no longer available)	
24	5020105697	PRETENSION REL.PLATE	
25	5020100849	WASHER	JWP0320501SC
26	5020100792	E-RING	JRE0200000K0
27	5020105701	WIPER	A146311A000
28	5020105756	WASHER	JWP0260116RZ
29	5020105702	PRETENSION PLATE(ASM.)	A146411A0A0
30	5020105703	PRETENSION SPRING	A146611A000
31	5020105704	LATCH PLATE(ASM.)	
32	5020105466	PRESSER LIFT LINK COLLAR	A1521110000
33	5020105705	WASHER	
34	5020105755	SCREW	

BERNINA 1100DA 230/240V

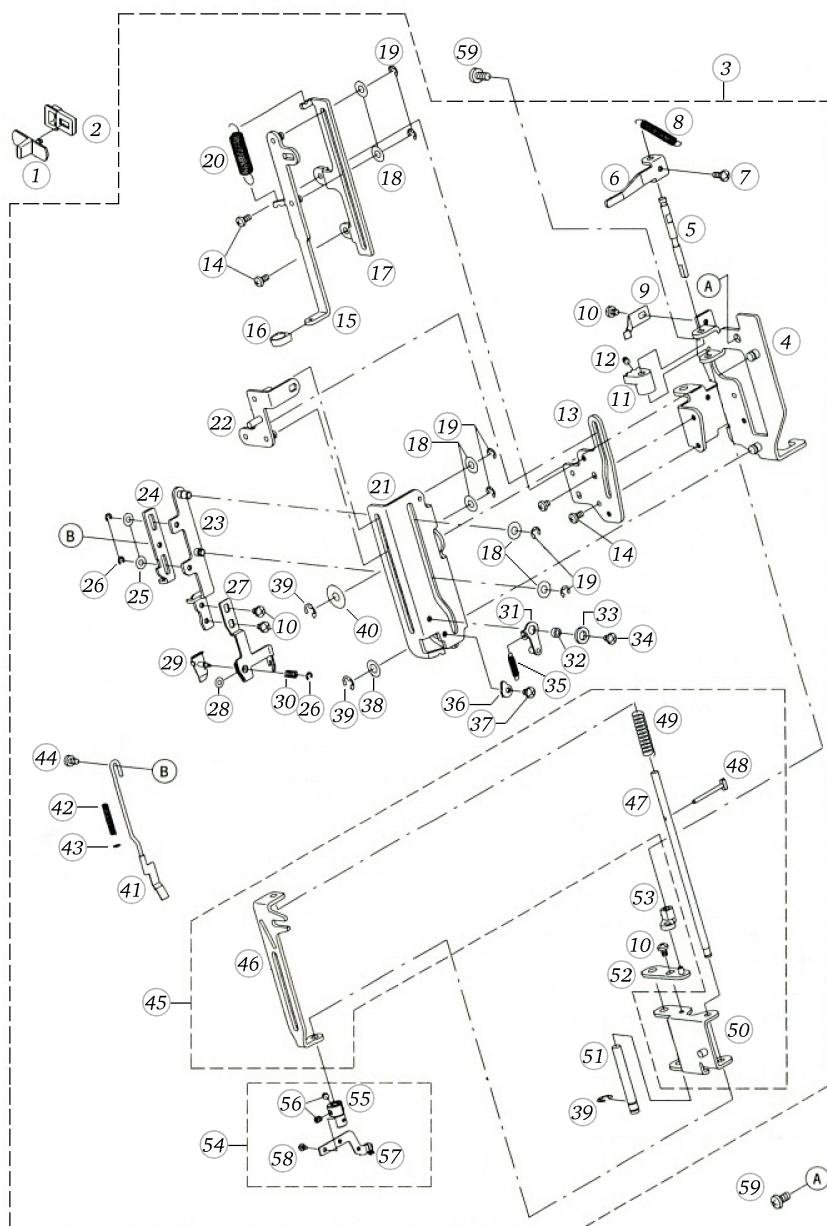
Threading system (UL / CSA)



Pos	Item number	Description	Supplier Part no.
35	5020105706	SPRING	
36	5020100571	LOWER KNIFE SUPP.PLATE	A4124335000
37	5020100823	SCREW	
38	5020100851	WASHER	JWP0531000SC
39	5020100795	E-RING	JRE0400000KO
40	5020105757	WASHER	
41	5020105698	TENS.DISK REL.PLATE(ASM.)	A145911A0A0
42	5020105699	PRETENSION REL.SPRING	A146111A000
43	5020105700	SPRING	A146211A000
44	5020100801	SCREW	
45	5020105676	LEFT/RIGHT OSC.PLATE(MAS.ASM.)	A142711A0B0
46	5020105679	THR.SHAFT SUPP.PLATE	
47	5020105677	THREADING SHAFT	
48	5020105680	THR.SHAFT PIN	
49	5020105681	THR.SHAFT SPRING	
50	5020105675	LEFT/RIGHT OSC.PLATE(ASM.)	
51	5020105683	OSC.SUPPORTING SHAFT	
52	5020105682	LEFT/RIGHT ADJ.PLATE(ASM.)	
53	5020105687	LEFT/RIGHT CHANGE CAM	
54	5020105685	THR.HOOK (ASM)	A143611A0A0
55	5020105684	THREADING FOOK HOLDER	
56	5020100832	SCREW	SM8030302TP
57	5020105686	THREADING FOOK(ASM.)	A143711A0A0
58	5020100812	SCREW	JSM4020301SC
59	5020100828	SCREW	JSM5040855SN

BERNINA 1100DA 230/240V

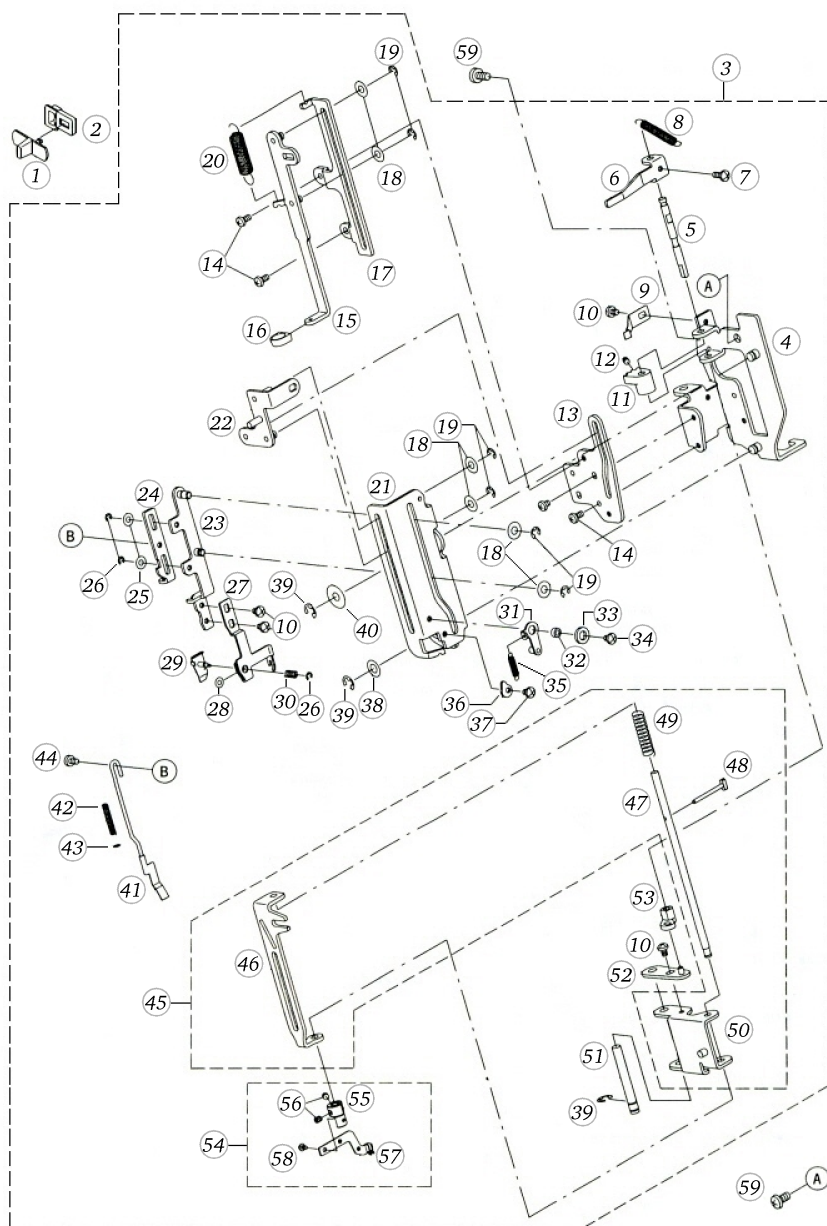
Threading system (CE / SEV / SAA / GB)



Pos	Item number	Description	Supplier Part no.
1	0000000999	(no longer available)	
2	5020105693	SPRING 1100DA	A144611A000
3	5020105674	THR. SYSTEM(ASM.)WITH LAMP(CE/SEV/SAA/GB	
4	5020105672	THR.SYSTEM BASE PLATE(ASM.)	
5	5020105689	LEFT/RIGHT CHANGE CAM SHAFT	
6	5020105691	LEFT/RIGHT CHANGE LEVER	
7	5020100825	SCREW	JSM5030855SN
8	5020105695	FRONT/BACK OSC.PLATE SPRING	A145111A000
9	5020105690	LEFT/RIGHT SPRING	
10	5020100822	SCREW	
11	5020105688	LEFT/RIGHT CHANGE PLATE	
12	5020100833	SCREW	JSM8030402TP
13	5020105708	FRONT/BACK GUIDE PLATE	
14	5020100824	SCREW	JSM5030655SN
15	5020105709	THREADING LEVER(ASM.)	
16	5020105678	THREADING LEVER CAP	
17	5020105710	THR.LEVER BASE PLATE	
18	5020105317	WASHER	A1636534D00
19	5020100794	E-RING	JRE0300000K0
20	5020105711	THR.LEVER SPRING	A148611A000
21	5020105694	FRONT/BACK CHANGE KNOB	
22	5020105707	WIPER DRIVING LINK(ASM.)	
23	0000000999	(no longer available)	
24	5020105697	PRETENSION REL.PLATE	
25	5020100849	WASHER	JWP0320501SC
26	5020100792	E-RING	JRE0200000K0
27	5020105701	WIPER	A146311A000
28	5020105756	WASHER	JWP0260116RZ
29	5020105702	PRETENSION PLATE(ASM.)	A146411A0A0
30	5020105703	PRETENSION SPRING	A146611A000
31	5020105704	LATCH PLATE(ASM.)	
32	5020105466	PRESSER LIFT LINK COLLAR	A1521110000
33	5020105705	WASHER	

BERNINA 1100DA 230/240V

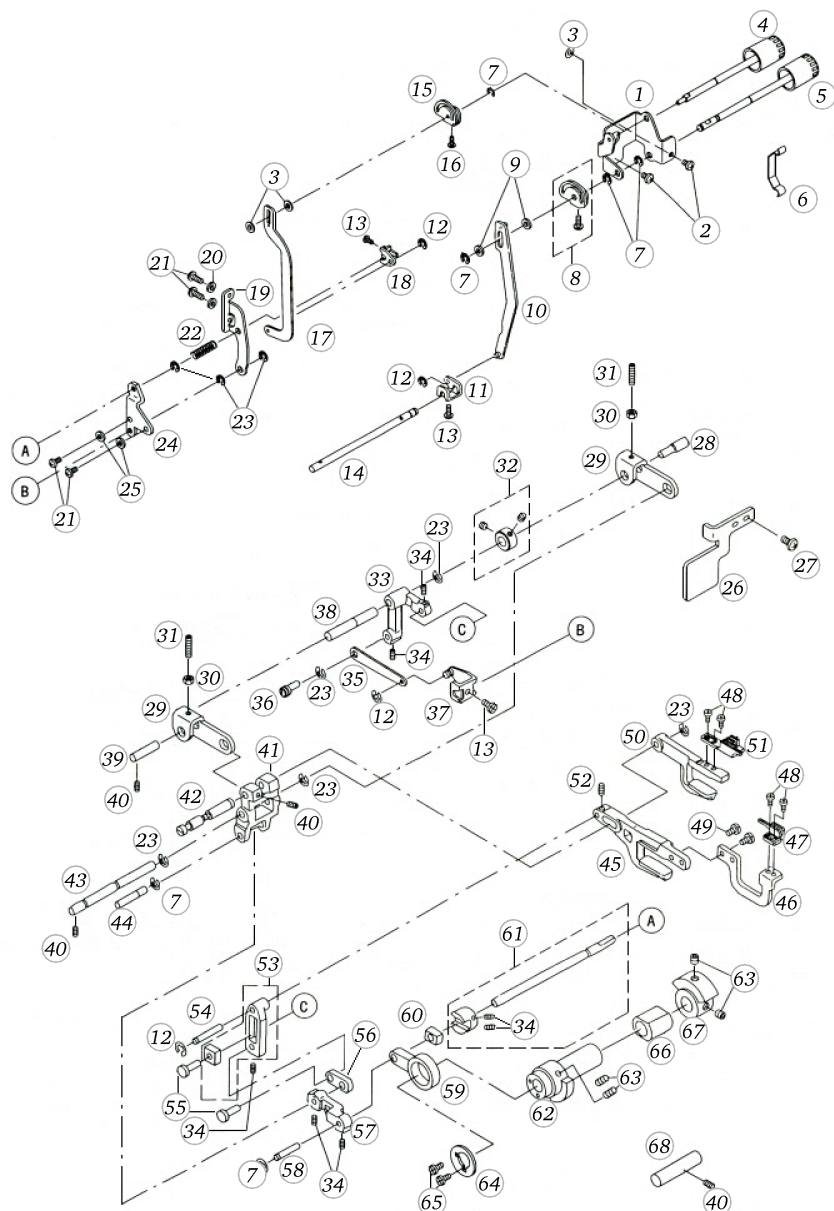
Threading system (CE / SEV / SAA / GB)



Pos	Item number	Description	Supplier Part no.
34	5020105755	SCREW	
35	5020105706	SPRING	
36	5020100571	LOWER KNIFE SUPP.PLATE	A4124335000
37	5020100823	SCREW	
38	5020100851	WASHER	JWP0531000SC
39	5020100795	E-RING	JRE0400000K0
40	5020105757	WASHER	
41	5020105698	TENS.DISK REL.PLATE(ASM.)	A145911A0A0
42	5020105699	PRETENSION REL.SPRING	A146111A000
43	5020105700	SPRING	A146211A000
44	5020100801	SCREW	
45	5020105676	LEFT/RIGHT OSC.PLATE(MAS.ASM.)	A142711A0B0
46	5020105679	THR.SHAFT SUPP.PLATE	
47	5020105677	THREADING SHAFT	
48	5020105680	THR.SHAFT PIN	
49	5020105681	THR.SHAFT SPRING	
50	5020105675	LEFT/RIGHT OSC.PLATE(ASM.)	
51	5020105683	OSC.SUPPORTING SHAFT	
52	5020105682	LEFT/RIGHT ADJ.PLATE(ASM.)	
53	5020105687	LEFT/RIGHT CHANGE CAM	
54	5020105685	THR.HOOK (ASM)	A143611A0A0
55	5020105684	THREADING FOOK HOLDER	
56	5020100832	SCREW	SM8030302TP
57	5020105686	THREADING FOOK(ASM.)	A143711A0A0
58	5020100812	SCREW	JSM4020301SC
59	5020100828	SCREW	JSM5040855SN

BERNINA 1100DA 230/240V

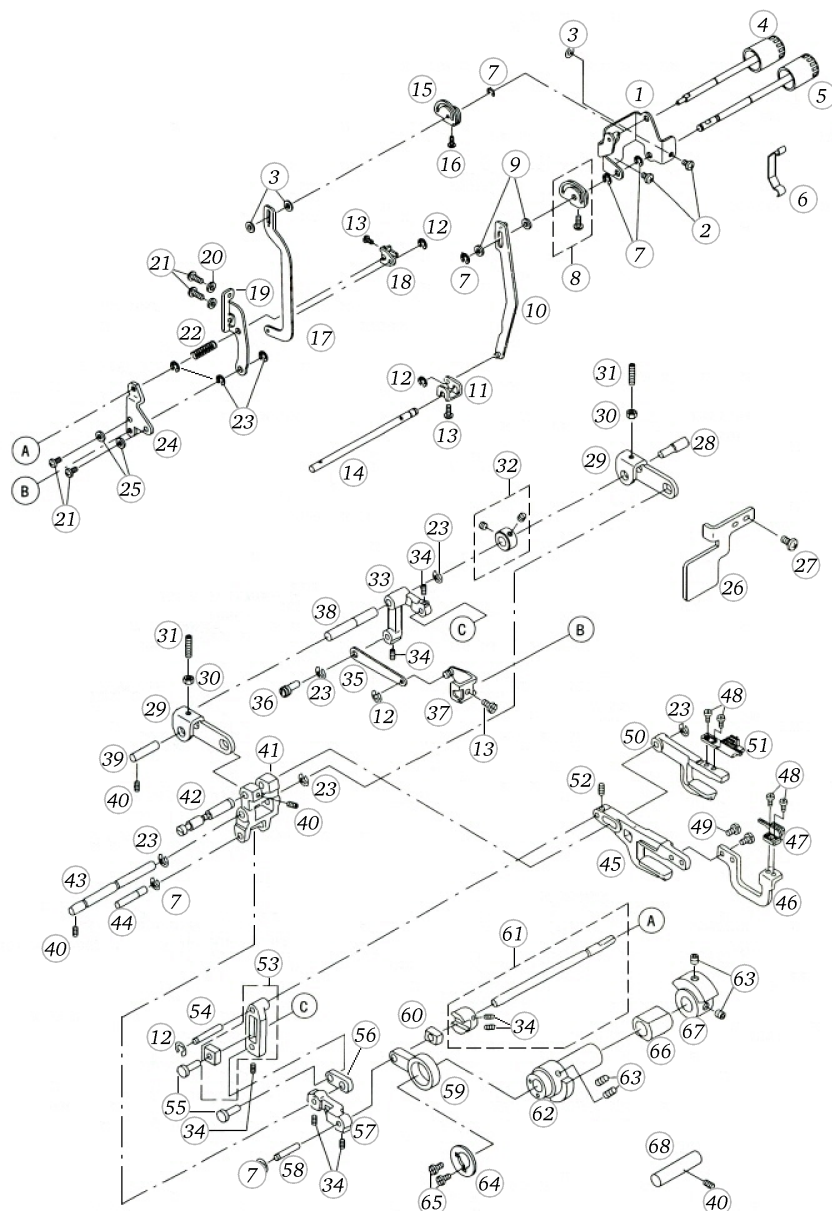
Feed regulation



Pos	Item number	Description	Supplier Part no.
1	5020105034	KNOB SETTING PLATE	A1610655000
2	5020106604	SCREW	
3	5020105037	WASHER	
4	5020106223	MAIN FEED ADJ.KNOB	A1601110000A
5	5020106721	DIF FEED ADJUSTING KNOB	A1602110000A
6	5020105035	KNOB HOLDING PLATE	
7	5020100795	E-RING	JRE0400000K0
8	5020100248	DIF.FEED ADJ. CAM ASM.	
9	5020100247	COLLAR	
10	A1620534DA0	LINK	
11	5020100299	DIF.FEED ADJ.ARM	
12	5020100794	E-RING	JRE0300000K0
13	5020100824	SCREW	JSM5030655SN
14	5020105485	SHAFT	
15	5020105036	MAIN FEED ADJUSTING CAM	
16	5020100825	SCREW	JSM5030855SN
17	5020105040	MAIN FEED ADJUSTING LINK (ASM.)	A16196550A0
18	5020100262	MAIN FEED ADJ. ARM	
19	5020105484	FEED ADJ.SHAFT SUPP.PLATE	
20	5020105317	WASHER	A1636534D00
21	5020100829	SCREW	
22	A1633534D00	SPRING	
23	5020100796	E-RING	JRE0500000K0
24	A1635534D00	DIF.FEED ARM	
25	5020105317	WASHER	A1636534D00
26	5020106823	FEED BASE GUIDE	
27	5020100819	SCREW	JSM4040655SN
28	A1664534D00	DIF. FEED SHAFT (B)	
29	5020105398	DIF.FEED SHAFT HOLDER	
30	5020100789	NUT	
31	SM8031202TP	SCREW	
32	5020100309	THRUST COLLAR ASM.	
33	A1661534D00	SUB FEED ADJ. ARM	
34	5020100833	SCREW	JSM8030402TP

BERNINA 1100DA 230/240V

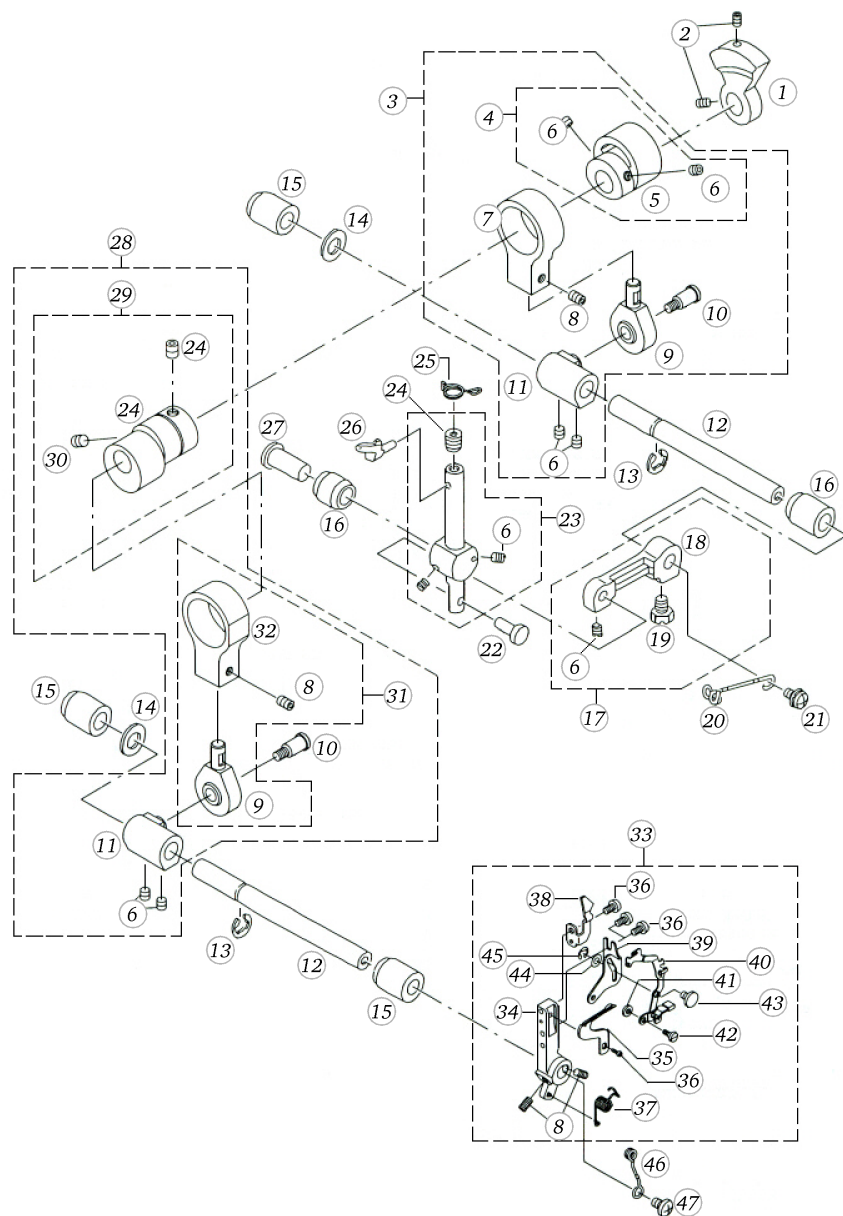
Feed regulation



Pos	Item number	Description	Supplier Part no.
35	5020100295	DIF.FEED ADJ.LINK A	
36	5020100298	ECCENTRIC PIN	
37	A1657534DA0	ARM	
38	5020105149	SHAFT	
39	A1663534D00	PIN	
40	5020100835	SCREW	JSM8040402TP
41	5020109173	ARM	A1645534D00
42	A1646534D00	FREE	
43	A1647534D00	SHAFT	
44	A1641534D00	SHAFT	
45	A1639535000	SUB FEED BASE	
46	A1648535000	DIF. FEED DOG SETTING BASE	
47	5020106865	DIF. FEED DOG	A1642534D0C
48	5020100817	SCREW	JSM4030655SP
49	5020100842	SCREW	
50	5020100255	FEED BASE ARM	A1625535000
51	5020102212	MAIN FEED DOG	J50210903
52	5020100832	SCREW	SM8030302TP
53	5020107418	DIF.FEED LINK ASM.	
54	5020100311	SHAFT	
55	5020100407	PIN	A2529335000
56	5020100291	DIF.FEED LINK	A1650534D00
57	A1640534D00	CONNECTING-ROD	
58	A1639534D00	SHAFT	
59	5020100249	MAIN FEED ROD	
60	5020100276	MAIN FEED SLIDING BLOCK	A1638776000
61	5020105397	FEED REGULATOR (ASM.)	
62	5020105038	HORIZONTAL/VERTICAL FEED	A1617534D00A
63	5020100837	SCREW	JSM8040602TP
64	A1618534D00	CAM WASHER	
65	5020105039	SCREW	
66	5020101940	VERTICAL FEED ADS	J50179003
67	A1207503000	CAM	
68	5020106822	FEED BASE GUIDE ROD	

BERNINA 1100DA 230/240V

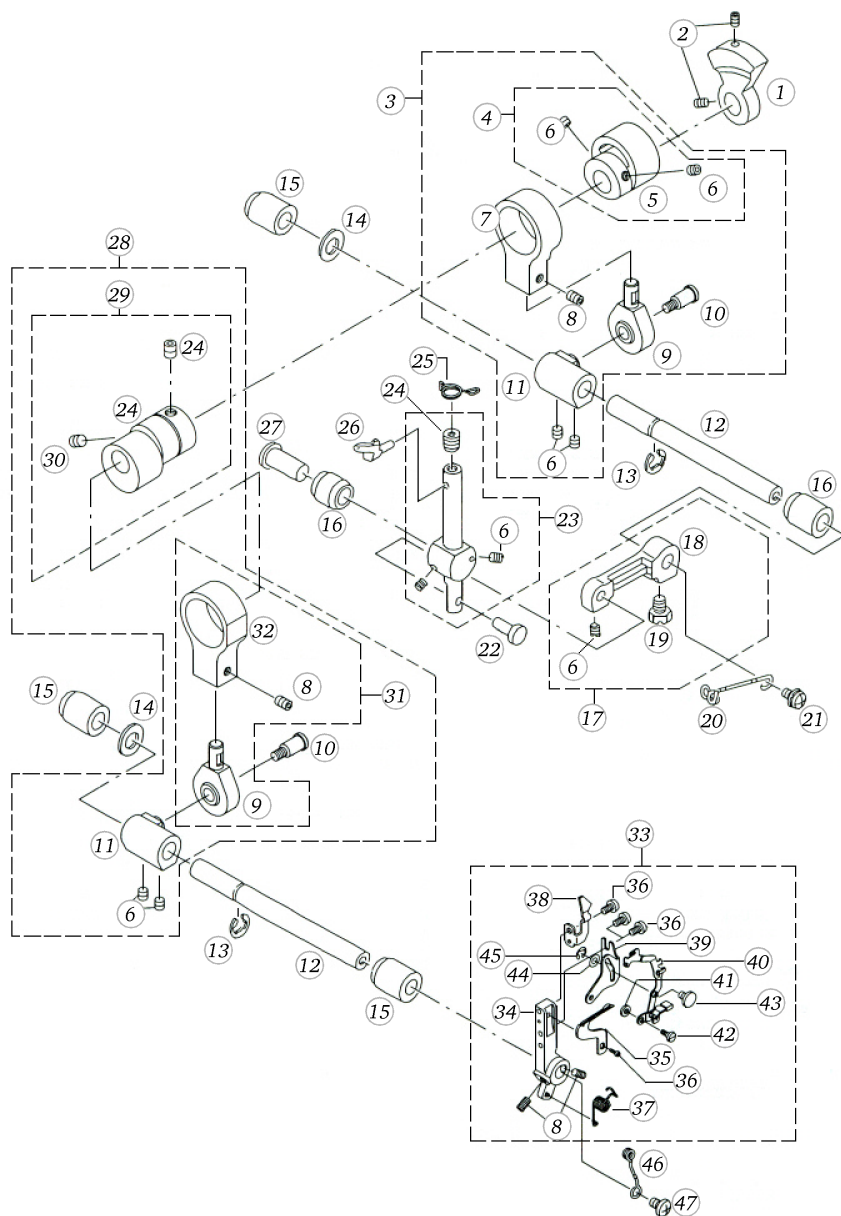
Upper looper



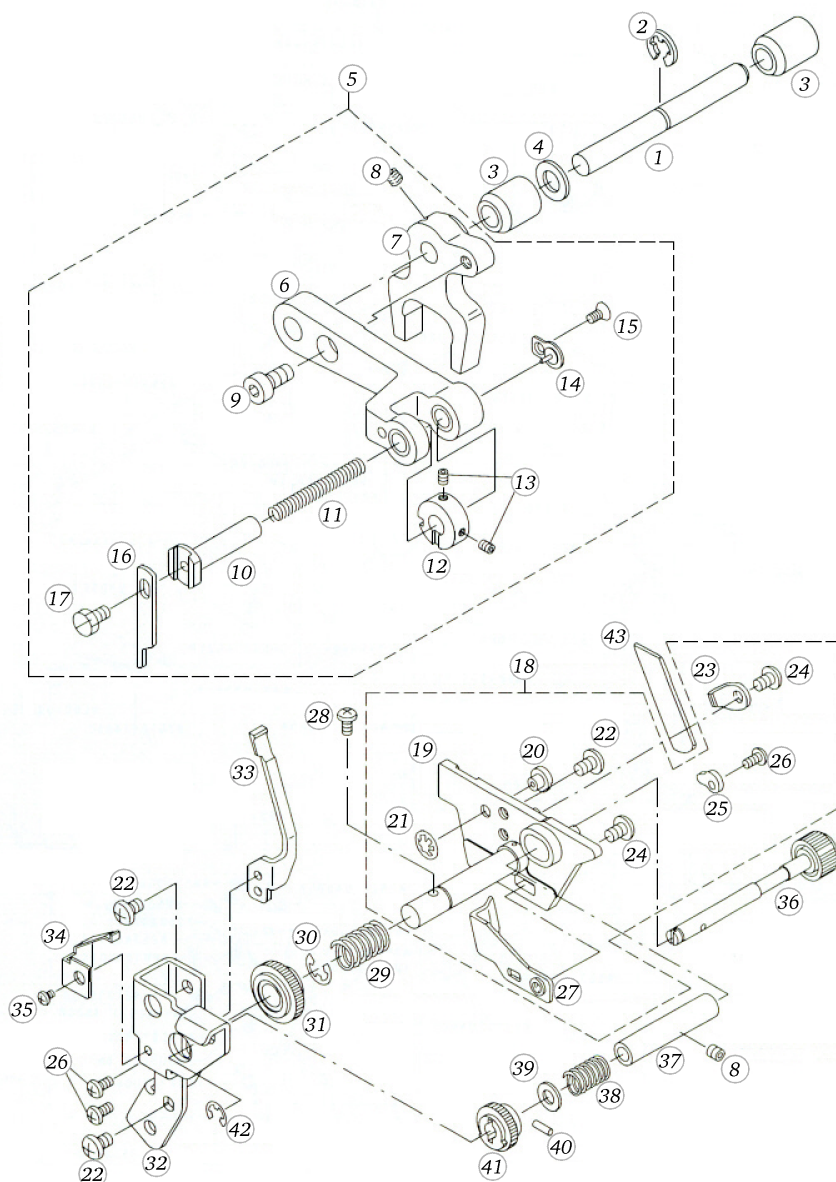
Pos	Item number	Description	Supplier Part no.
1	5020105401	LOOPER BALANCER	
2	5020100833	SCREW	JSM8030402TP
3	5020107595	UPPER LOOPER CAM CPL. 006D	40061961
4	5020107715	UPPER LOOPER CAM (ASM.)	J40079509
5	5020100348	UPPER LOOPER CAM	
6	5020100835	SCREW	JSM8040402TP
7	5020105400	LOWER LOOPER CAM(ASM.)	
8	5020100837	SCREW	JSM8040602TP
9	5020105785	BALL BEARING LINK	A2503776000
10	5020105946	SCREW	A2504776000
11	5020106828	UPPER LOOPER DRIV.SHAFT	A2505776000
12	5020106832	UPPER LOOPER SHAFT	A2521534000
13	5020100797	E-RING	
14	5020100854	WASHER	
15	5020106011	UPPER KNIFE SHAFT FRONT BUSH	
16	5020106824	BUSHING	
17	5020106666	LOWER LOOPER SUPP.ARM	A25103340A0
18	5020105855	UP.LOOPER OSC.ARM	A2510334000
19	0000000999	(no longer available)	
20	5020105713	UPP.LOOPER THR.TAKE-UP(ASM.)	A25196340A0
21	5020100807	SCREW	JSL5040835SN
22	5020100407	PIN	A2529335000
23	0000000999	(no longer available)	
24	5020100839	SCREW	JSM8050602TP
25	5020100397	UPPER LOOP.THREAD G	A25227760A0
26	5020100371	UPPER LOOPER 2000	A2512776000
27	5020106016	UPPER LOOPER GUIDE SHAFT	A2531534000A
28	5020106228	LOWER LOOPER ROD(ASM.)	A25155340A0B
29	5020105400	LOWER LOOPER CAM(ASM.)	
30	5020107406	LOWER LOOPER CAM	40079646
31	5020106315	LOOPER ARM CONNECTING(ASM.)	A25155340E0
32	5020106830	LOWER LOOPER ROD	A2515534000A
33	5020107126	LOWER LOOPER SUPP.(ASM.)	
34	5020106831	LOWER LOOPER SUPPORTING ARM	A251733500S

BERNINA 1100DA 230/240V

Upper looper



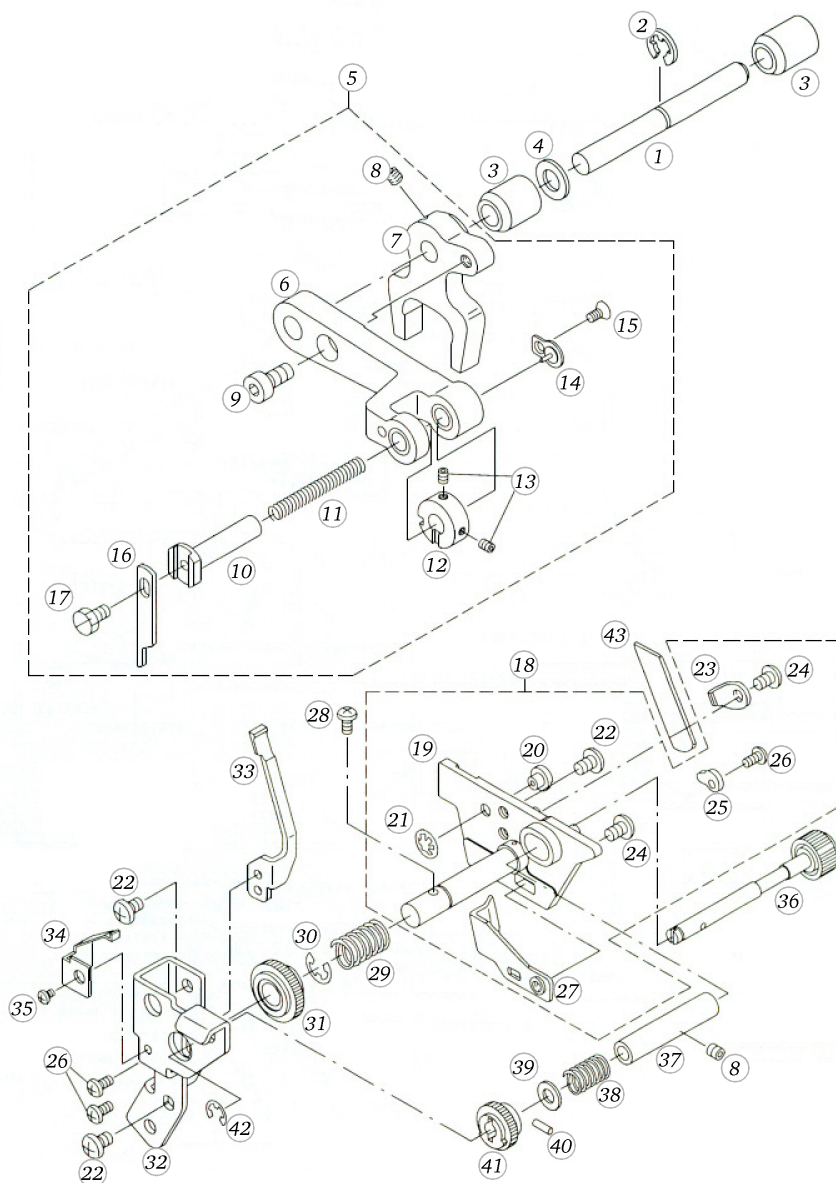
Pos	Item number	Description	Supplier Part no.
35	5020102101	LOWER LOOPER	J50197503
36	5020100824	SCREW	JSM5030655SN
37	5020105487	SPRING	A253733500SA
38	5020105714	REAR NEEDLE GUARD	A2536554000A
39	5020106834	Lower Looper Thr. Guide base	A253333500S
40	5020106733	UPPER LOOPER SLIDE SHAFT	A25345540B0A
41	5020100849	WASHER	JWP0320501SC
42	5020100409	SCREW	A253133500S
43	5020106833	CONNECTING PIN	
44	5020100426	WASHER	
45	5020100792	E-RING	JRE0200000K0
46	0000000999	(no longer available)	
47	5020100819	SCREW	JSM4040655SN



Pos	Item number	Description	Supplier Part no.
1	5020106050	UPPER KNIFE SHAFT	A4108535000
2	5020106089	E-RING	
3	5020106011	UPPER KNIFE SHAFT FRONT BUSH	
4	5020100854	WASHER	
5	5020105727	UPP.KNIFE DRIV.ARM(MAS.ASM.)	
6	5020100551	UPPER KNIFE DRIVING ARM	A4101503000C
7	5020107348	UPPER KNIFE DRIVING ARM	J40072483
8	5020100835	SCREW	JSM8040402TP
9	5020106108	SCREW	
10	5020100558	UPPER KNIFE HOLDER	A4103535000
11	5020100561	KNIFE PRESSER SPRING	A4106535000
12	5020100560	UPP.KNIFE TURNING KNOB	A4105776000A
13	5020100833	SCREW	JSM8030402TP
14	5020100562	KNIFE SPRING SUPP.Plate(ASM.)	A41075020A0
15	5020100810	SCREW	
16	5020100594	UPPER KNIFE 2000	A4142335000
17	5020100842	SCREW	
18	5020105728	LOWER KNIFE HOLDER(MAS.ASM.)	A41211100B0
19	5020105512	LOWER KNIFE HOLDER (ASM.)	A41211100A0
20	A4149535000	CAM	
21	5020100544	LOCKNUT	
22	5020100819	SCREW	JSM4040655SN
23	5020100570	LOWER KNIFE PRESSER PLATE	A4123335000
24	5020106102	SCREW	JSM4040655SP
25	5020100571	LOWER KNIFE SUPP.Plate	A4124335000
26	5020100817	SCREW	JSM4030655SP
27	A4147535000	PLATE	
28	5020106099	SCREW	
29	5020100589	LOWER KNIFE HOLDER SPRING	A4136335000
30	5020100796	E-RING	JRE0500000K0
31	5020105516	LOWER KNIFE ADJ.CAM	
32	5020105518	LOWER KNIFE ADJ.BASE	
33	5020100414	MOV.NEEDLE GUARD(FRONT)	
34	5020106061	LOWER KNIFE ADJ.CAM PRESSER SPRING	A4140535000

BERNINA 1100DA 230/240V

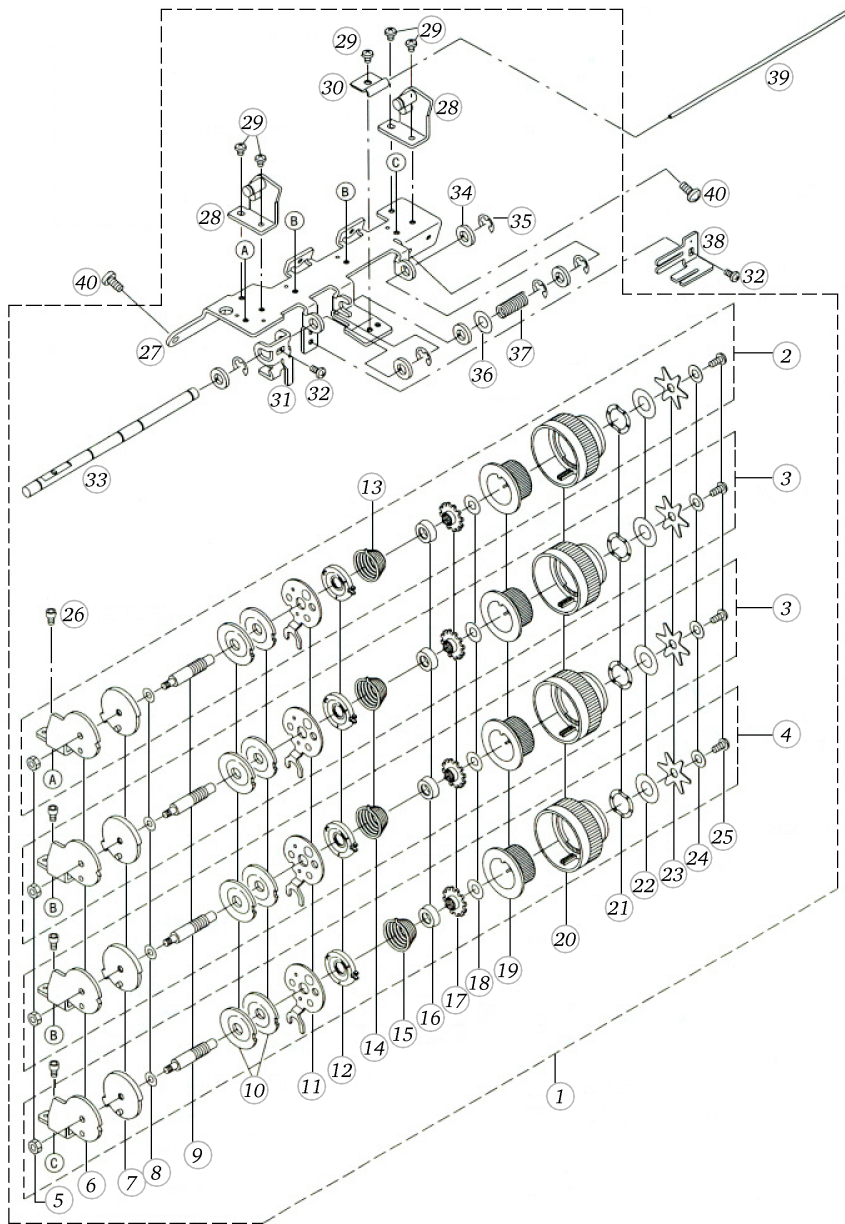
Thread cutting



Pos	Item number	Description	Supplier Part no.
35	5020100816	SCREW	
36	5020105517	LOWER KNIFE ADJ.KNOB	
37	5020105514	LOWER KNIFE HOLD.SAHFT METAL	
38	A1633534D00	SPRING	
39	5020105334	WASHER	A31099DC000
40	5020105754	PIN	
41	5020105515	Lower knife adj. gear	A4127110000
42	5020100795	E-RING	JRE0400000K0
43	5020100595	LOWER KNIFE 2000	A4145335000

BERNINA 1100DA 230/240V

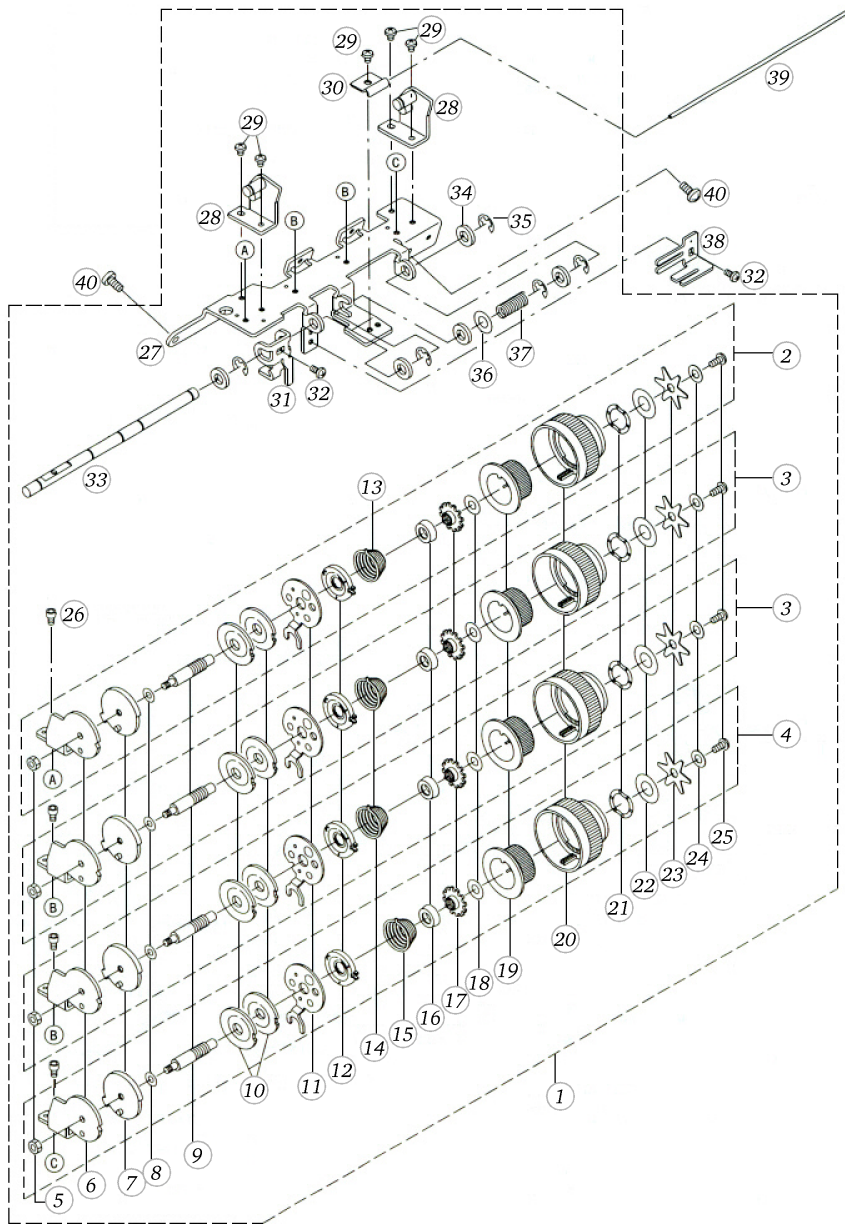
Thread tension



Pos	Item number	Description	Supplier Part no.
1	5020107551	THR.TENS.ADJ.BASE(ASM.)	A31501100B0B
2	5020105503	THR.TENS.ADJ.PLATE A(ASM.)	A3150110AA0
3	5020107701	THR.TENS.ADJ.PLATE B(ASM.)	A3150110BA0B
4	5020105505	THR.TENS.ADJ.PLATE D(ASM.)	A3150110DA0
5	NS6090310SP	NUT	
6	5020105509	THR.TENS.ADJ.PLATE	
7	5020105499	THR.TENS.DISK SETT.PLATE	
8	WP0380516SD	WASHER	
9	5020107700	THREAD TENS.SHAFT	A3149110000A
10	5020106859	THREAD TENS.DISK	A3910634000B
11	5020105498	THR.TENS.RELEASE PLATE	
12	5020100547	THREAD TENS.SPRING RECEIVER	A3900634000
13	5020105660	LEFT NEEDLE TENS.SPRING	A3903634000
14	5020105765	UPPER LOOPER THR.TENS.SPRING	A3902634000
15	5020100548	SPRING 006D	A3906634000
16	5020105491	THR.TENS.SPRING COLLAR	A3107110000
17	5020105402	TENSION NUT	
18	WP0510516SD	WASHER	
19	5020105506	THR.TENS.ADJ.GEAR	A3151110000
20	5020107588	THREAD TENS.DIAL	A3150110A00B
21	5020107437	WAVED WASHER	
22	5020105543	WASHER	WP0841600SE
23	5020105507	THR.TENS.PLATE DIAL PRESSER	A3152110000
24	5020105334	WASHER	A31099DC000
25	SS5080710SP	SCREW	
26	5020105542	SCREW	
27	5020105508	THR.TENS.MOUNTING PLATE	
28	5020105440	HANDLE MOUNTING PLATE	
29	5020100822	SCREW	
30	5020105510	THREADING GUIDE BAR PLATE	
31	5020105479	THR.TENS.REL.JOINT PLATE	
32	5020100824	SCREW	JSM5030655SN
33	5020105477	THR.TENS.RELEASE SHAFT	
34	5020105481	WASHER	

BERNINA 1100DA 230/240V

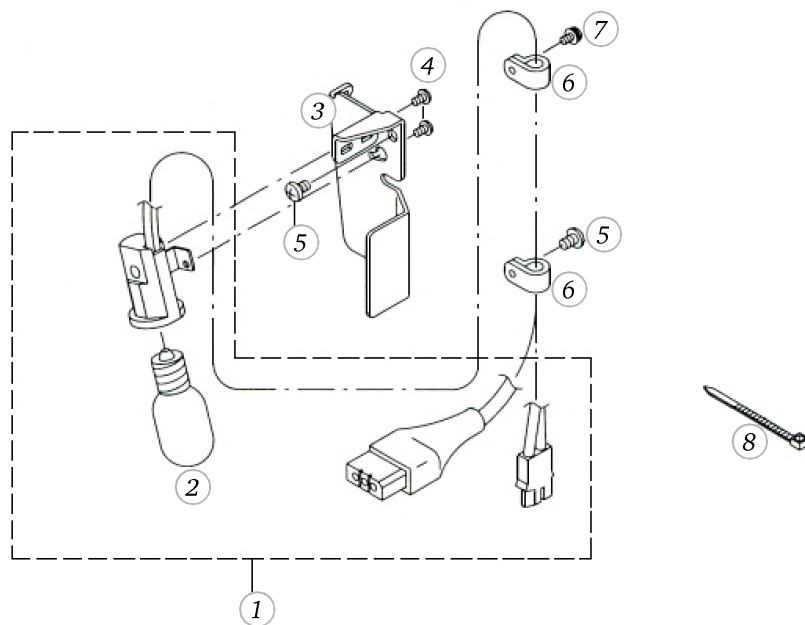
Thread tension



Pos	Item number	Description	Supplier Part no.
35	5020100796	E-RING	JRE050000K0
36	5020105354	WAHSER	JWP0641600SC
37	5020105478	SPRING	
38	5020105480	THR.TENS.REL.LINK GUIDE PLATE	
39	5020100183	2ND THREAD GUIDE	
40	5020100828	SCREW	JSM5040855SN

BERNINA 1100DA 230/240V

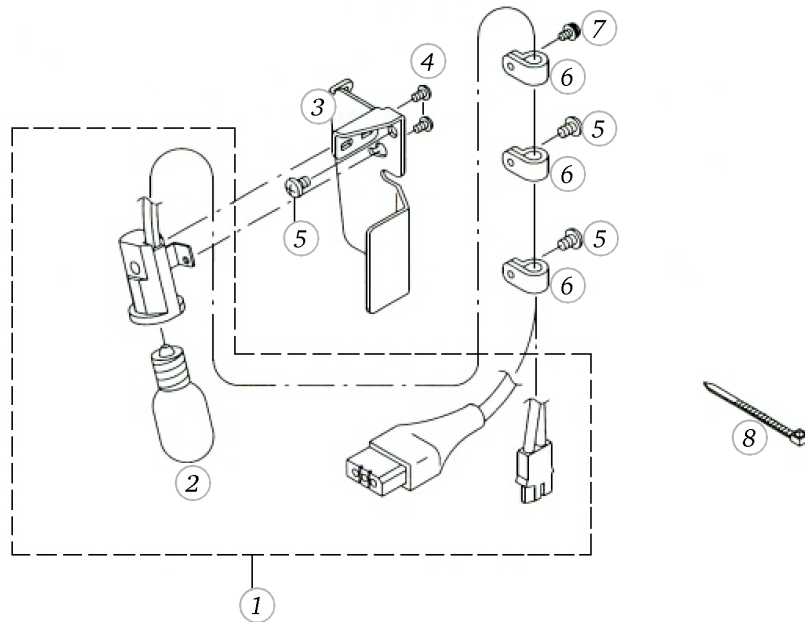
Lamp holder (1100D UL / CSA)



Pos	Item number	Description	Supplier Part no.
1	A600653401D	LIGHT CPL. (UL/CSA)	
2	A6013535000	LAMP (UL/CSA)	
3	5020105522	LAMP HOLDER SUPPORT	
4	5020106103	SCREW	
5	5020100819	SCREW	JSM4040655SN
6	5020100786	CABLE CLIP	
7	5020100802	SCREW	JSL5030631SF
8	5020105750	CORD PRESSER	

BERNINA 1100DA 230/240V

Lamp holder (1100D CE / SEV / SAA / GB)

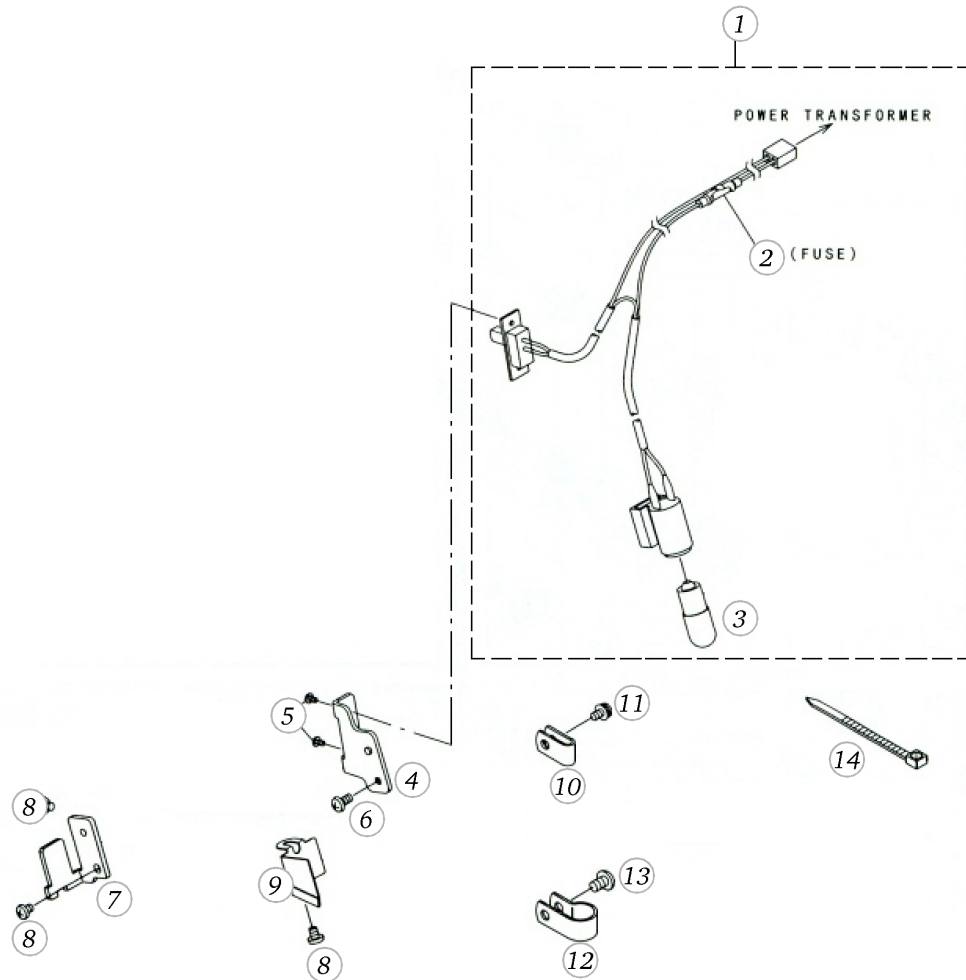


Pos	Item number	Description	Supplier Part no.
1	0000000999	(no longer available)	
2	5020107351	LAMP FOR VDE EUR/AUS	A6013800B00A
3	5020105522	LAMP HOLDER SUPPORT	
4	5020106103	SCREW	
5	5020100819	SCREW	JSM4040655SN
6	5020100786	CABLE CLIP	
7	5020100802	SCREW	JSL5030631SF
8	5020105750	CORD PRESSER	

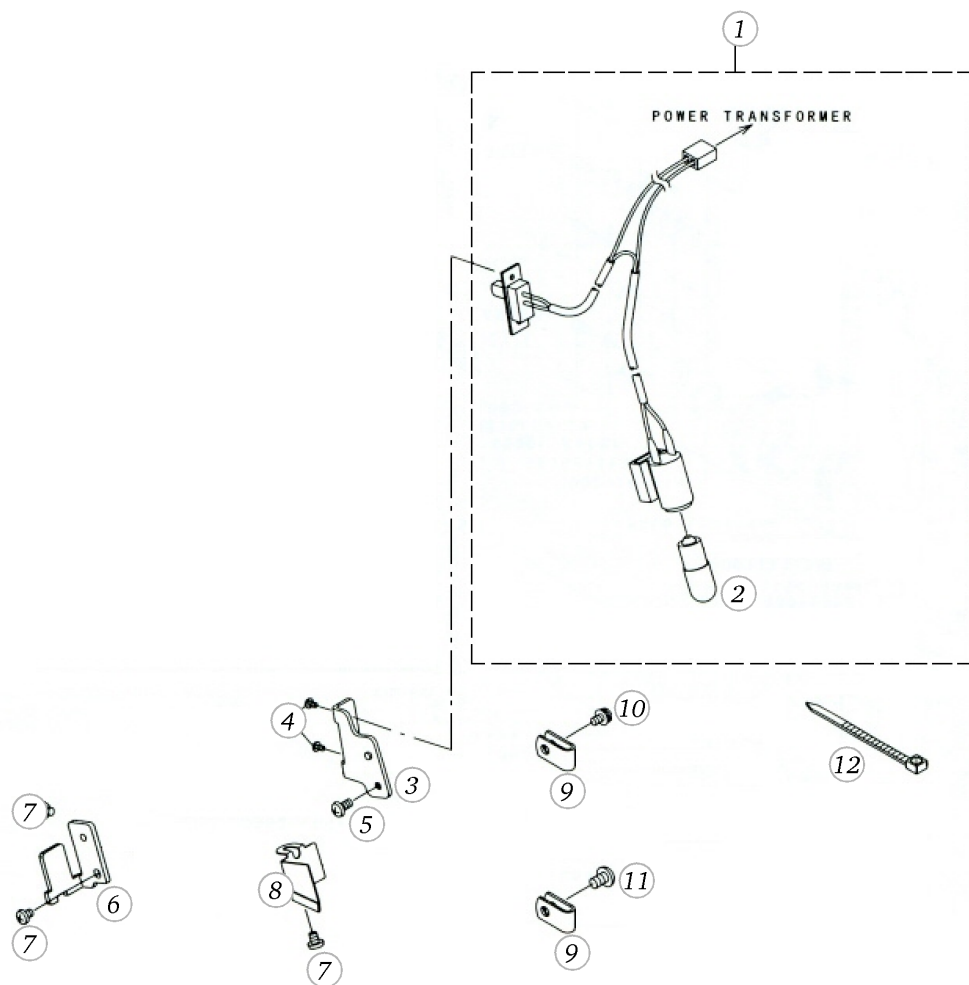
BERNINA 1100DA 230/240V

Lamp holder (1100DA UL / CSA)

Pos	Item number	Description	Supplier Part no.
1	5020105729	LAMP HOLDER(ASM.)(UL/CSA)	
2	5020100779	FUSE FOR MICRO C.C.BOARD (120V)	
3	5020107206	LAMP 12V 5W	A3803880000A
4	5020105732	LAMP SW.BRACKET	
5	5020100812	SCREW	JSM4020301SC
6	5020100824	SCREW	JSM5030655SN
7	5020105733	LAMP BRACKET	
8	5020100822	SCREW	
9	5020105734	LAMP COVER	
10	5020100788	CABLE CLIP	
11	5020100802	SCREW	JSL5030631SF
12	5020105752	CABLE CLIP	
13	5020100819	SCREW	JSM4040655SN
14	5020100549	BAND	

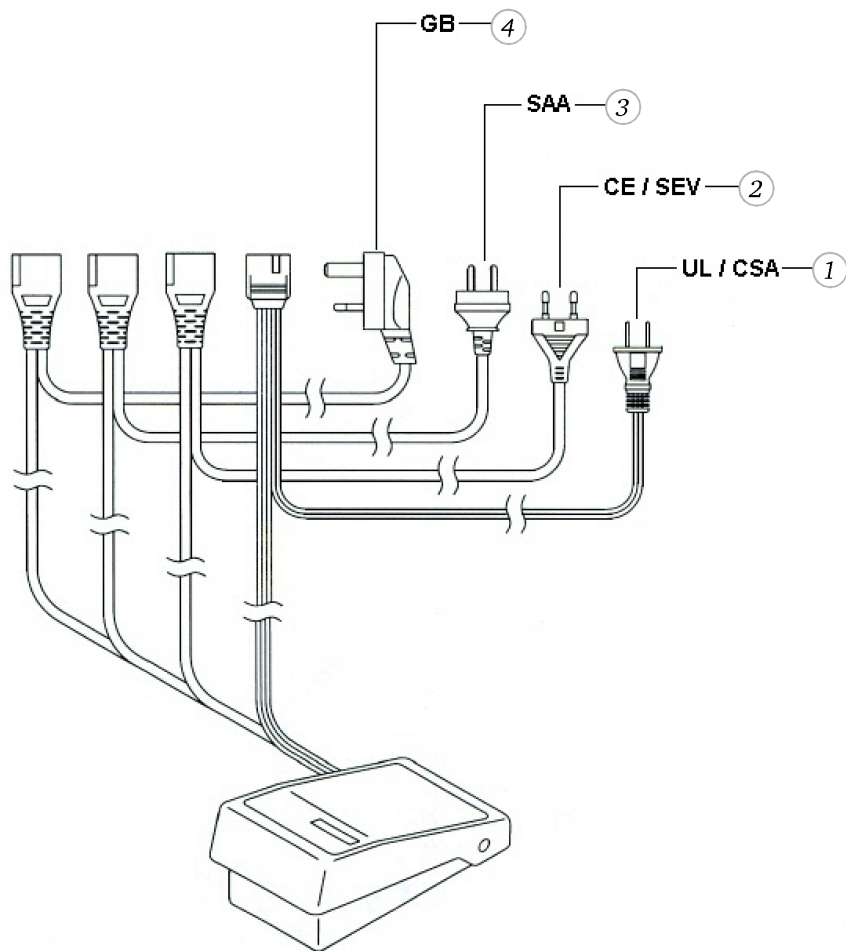


Pos	Item number	Description	Supplier Part no.
1	5020105730	LAMP HOLDER(ASM.)(CE/SEV/SA	A600211A0A0
2	5020107206	LAMP 12V 5W	A3803880000A
3	5020105732	LAMP SW.BRACKET	
4	5020100812	SCREW	JSM4020301SC
5	5020100824	SCREW	JSM5030655SN
6	5020105733	LAMP BRACKET	
7	5020100822	SCREW	
8	5020105734	LAMP COVER	
9	5020100788	CABLE CLIP	
10	5020100802	SCREW	JSL5030631SF
11	5020100819	SCREW	JSM4040655SN
12	5020100549	BAND	



BERNINA 1100DA 230/240V

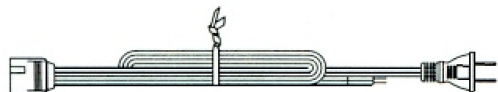
Foot controller



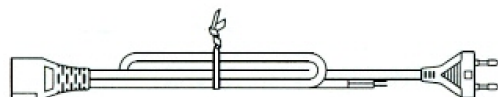
Pos	Item number	Description	Supplier Part no.
1	5020105527	F/C (ASM.)120V/UL/CSA	A64011100A0A
2	5020105528	FOOT CONTROLLER VDE	
3	5020107075	FOOT CONTROLLER SAA	A640111000BB
4	5020107076	FOOT CONTROLLER BS	A640111000CB

BERNINA 1100DA 230/240V

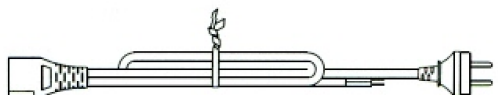
Electronic Cord



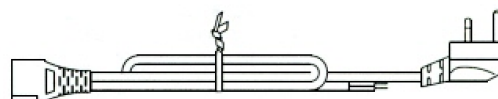
① UL / CSA



② CE / SEV



③ SAA

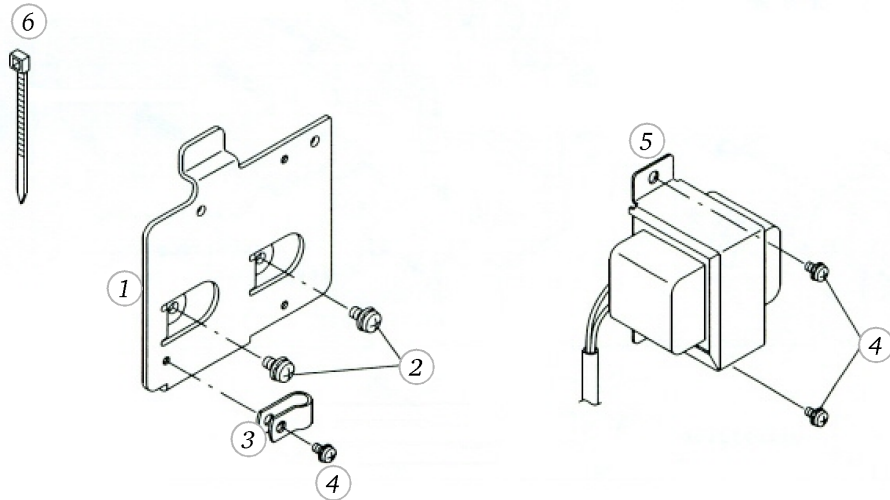


④ GB

Pos	Item number	Description	Supplier Part no.
1	5020105531	CORD WITH PLUG(UL/CSA)	A65011100A0
2	5020105532	CORD WITH PLUG(CE/SEV)	A65011100AA
3	5020106987	CORD WITH PLUG(SAA)	A65011100ABA
4	5020105534	CORD WITH PLUG GB	A65011100AC

BERNINA 1100DA 230/240V

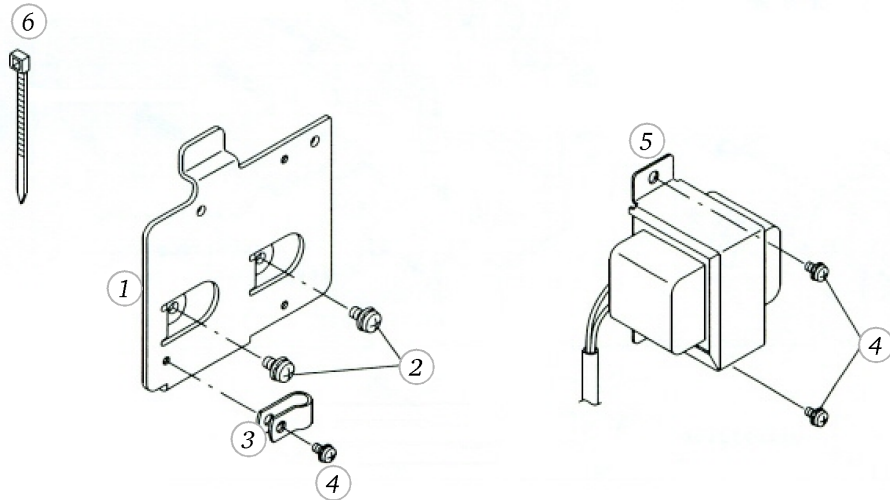
Transformer (1100DA 120V)



Pos	Item number	Description	Supplier Part no.
1	5020105741	TRANS BRACKET	
2	5020100807	SCREW	JSL5040835SN
3	5020100786	CABLE CLIP	
4	5020100802	SCREW	JSL5030631SF
5	5020105736	POWER TRANSF.(ASM.)(UL/CSA)	A601411A0A0
6	5020100549	BAND	

BERNINA 1100DA 230/240V

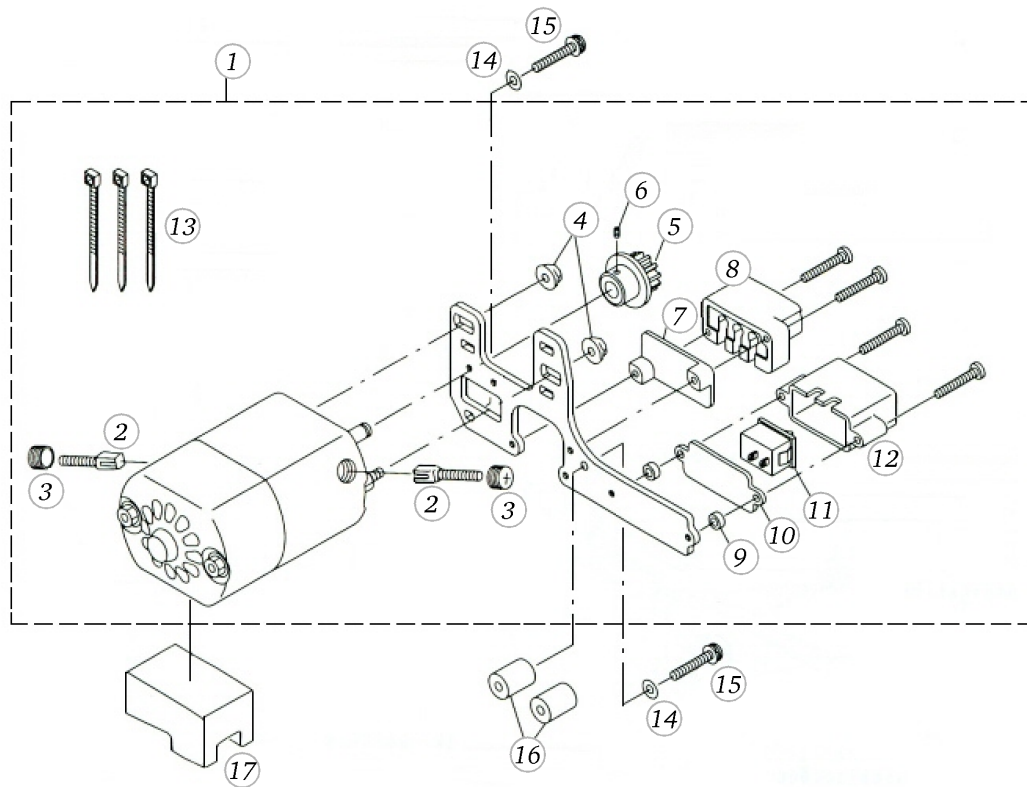
Transformer (1100DA 240V)



Pos	Item number	Description	Supplier Part no.
1	5020105741	TRANS BRACKET	
2	5020100807	SCREW	JSL5040835SN
3	5020100786	CABLE CLIP	
4	5020100802	SCREW	JSL5030631SF
5	A601411A0AB	POWER TRANSF. (240V)	
6	5020100549	BAND	

BERNINA 1100DA 230/240V

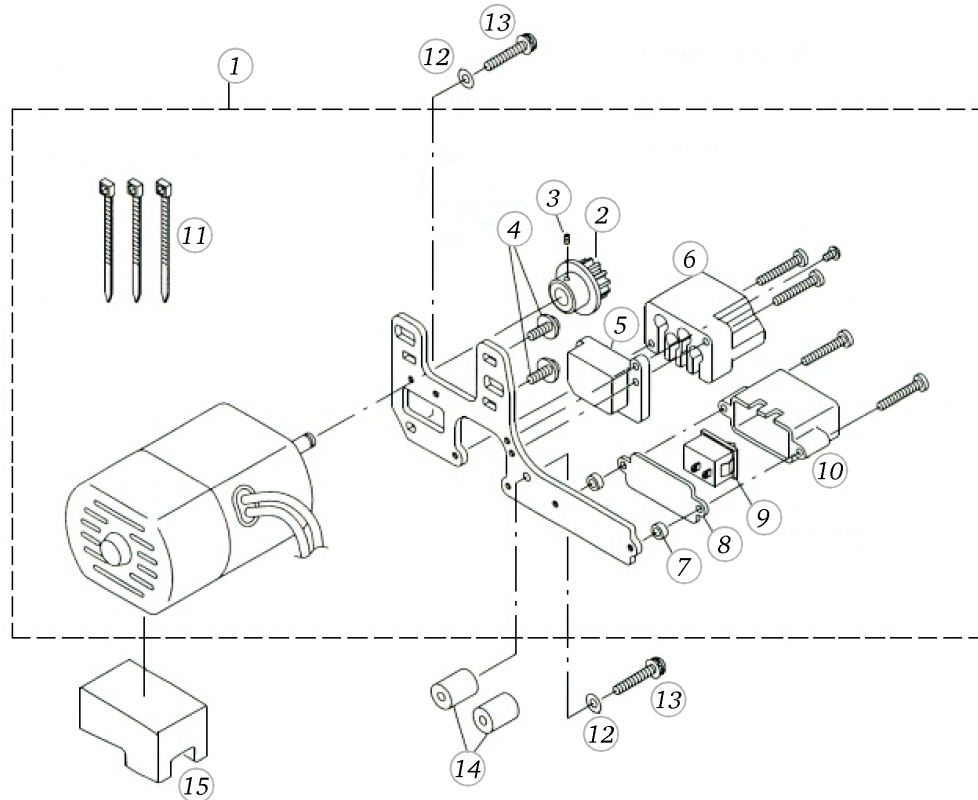
Motor (1100D UL / CSA)



Pos	Item number	Description	Supplier Part no.
1	0000000999	(no longer available)	
2	5020105346	CARBON BRUSH	A6090534000
3	MSA01071M07	CARBON BRUSH CAP	
4	5020105753	NUT	
5	5020100605	MOTOR PULLEY(UL,CSA)	A6010634000A
6	5020100837	SCREW	JSM8040602TP
7	5020105735	TERM.BOX SETT.PLATE	
8	A6001102U00A	COVER	
9	5020105523	SPACER	
10	5020100614	SWITCH COVER B	
11	0000000999	(no longer available)	
12	5020100613	SWITCH COVER A	A6015524000
13	5020100549	BAND	
14	5020105317	WASHER	A1636534D00
15	5020105541	SCREW	
16	5020105526	MOTOR SETTING BASE	
17	A6003535000	MOTOR PROTECTOR	

BERNINA 1100DA 230/240V

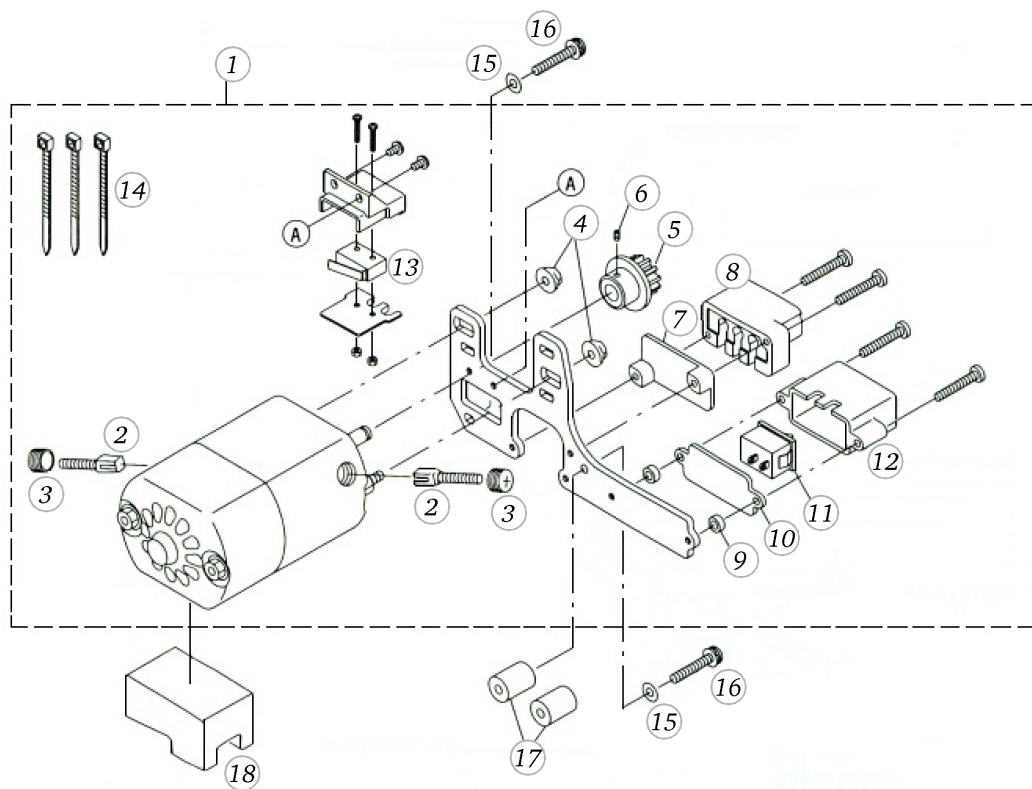
Motor (1100D CE / SEV / SAA / GB)



Pos	Item number	Description	Supplier Part no.
1	5020107589	MOTOR(ASM.)230V/VDE/SAA/BS	A63011100BBA
2	5020100604	MOTOR PULLEY 230/240V 007	A601063400A
3	5020100837	SCREW	JSM8040602TP
4	5020105731	SCREW	
5	5020105520	CONDENSER COVER	
6	5020107125	TERMINAL BOX	A6001102G00
7	5020105523	SPACER	
8	5020100614	SWITCH COVER B	
9	0000000999	(no longer available)	
10	5020100613	SWITCH COVER A	A6015524000
11	5020100549	BAND	
12	5020105317	WASHER	A1636534D00
13	5020105541	SCREW	
14	5020105526	MOTOR SETTING BASE	
15	A6003535000	MOTOR PROTECTOR	

BERNINA 1100DA 230/240V

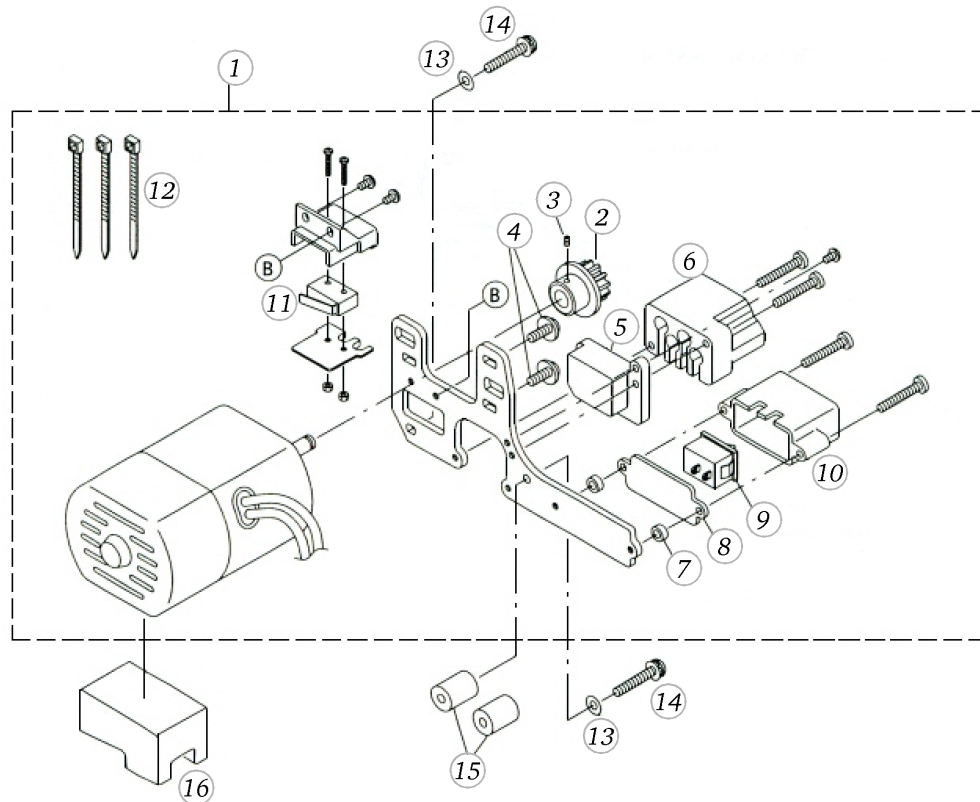
Motor (1100DA UL / CSA)



Pos	Item number	Description	Supplier Part no.
1	5020105742	MOTOR(ASM.)(UL/CSA)	A630111A0B0
2	5020105346	CARBON BRUSH	A6090534000
3	MSA01071M07	CARBON BRUSH CAP	
4	5020105753	NUT	
5	5020100605	MOTOR PULLEY(UL,CSA)	A6010634000A
6	5020100837	SCREW	JSM8040602TP
7	5020105735	TERM.BOX SETT.PLATE	
8	A6001102U00A	COVER	
9	5020105523	SPACER	
10	5020100614	SWITCH COVER B	
11	0000000999	(no longer available)	
12	5020100613	SWITCH COVER A	A6015524000
13	5020105749	MICRO SWITCH	JE9603501000
14	5020100549	BAND	
15	5020105317	WASHER	A1636534D00
16	5020105541	SCREW	
17	5020105526	MOTOR SETTING BASE	
18	A6003535000	MOTOR PROTECTOR	

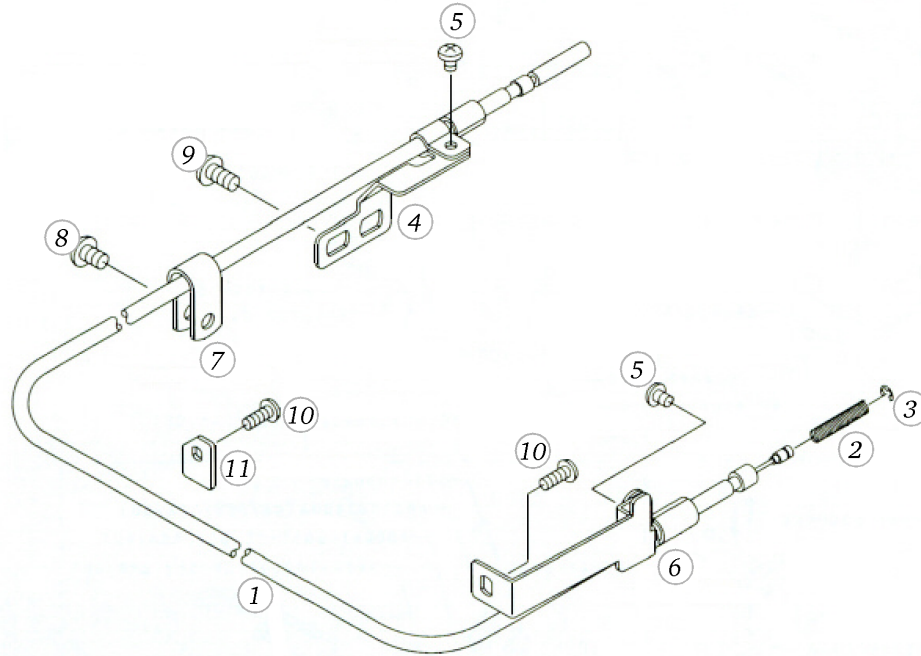
BERNINA 1100DA 230/240V

Motor (1100DA CE / SEV / SAA / GB)



Pos	Item number	Description	Supplier Part no.
1	5020105743	MOTOR 1100DA CE/SEV/SAA/GB	A630111A0BB
2	5020100604	MOTOR PULLEY 230/240V 007	A601063400A
3	5020100837	SCREW	JSM8040602TP
4	5020105731	SCREW	
5	5020105520	CONDENSER COVER	
6	5020107125	TERMINAL BOX	A6001102G00
7	5020105523	SPACER	
8	5020100614	SWITCH COVER B	
9	0000000999	(no longer available)	
10	5020100613	SWITCH COVER A	A6015524000
11	5020105749	MICRO SWITCH	JE9603501000
12	5020100549	BAND	
13	5020105317	WASHER	A1636534D00
14	5020105541	SCREW	
15	5020105526	MOTOR SETTING BASE	
16	A6003535000	MOTOR PROTECTOR	

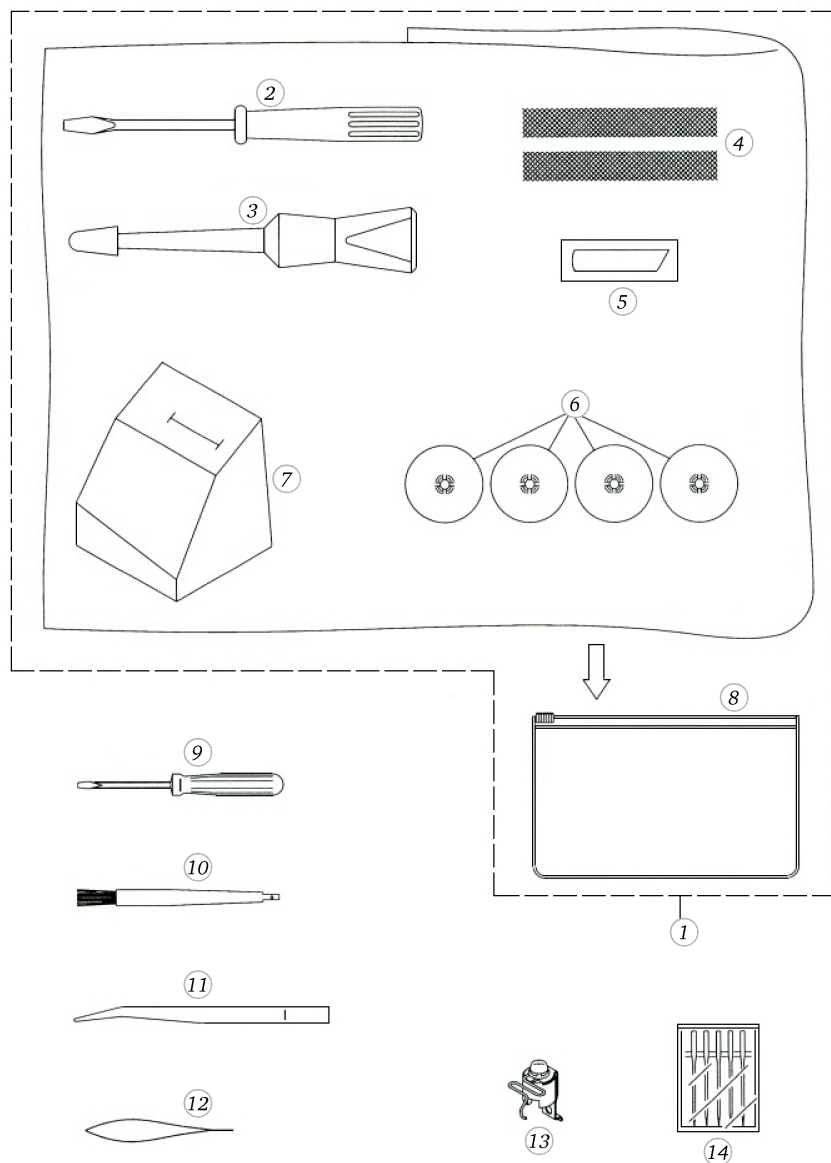
Outer wire



Pos	Item number	Description	Supplier Part no.
1	5020109169	Outer wire asm	A6026335EA0A
2	A6033535000	SPRING	
3	5020100792	E-RING	JRE0200000K0
4	5020105738	WIRE HOLDER (1)	
5	5020100815	SCREW	JSM4030455SN
6	5020109168	Wire Holder	A602511A000A
7	5020100786	CABLE CLIP	
8	5020100819	SCREW	JSM4040655SN
9	5020100828	SCREW	JSM5040855SN
10	5020100847	SCREW	JST5030851SN
11	A6036535000	PLATE	

BERNINA 1100DA 230/240V

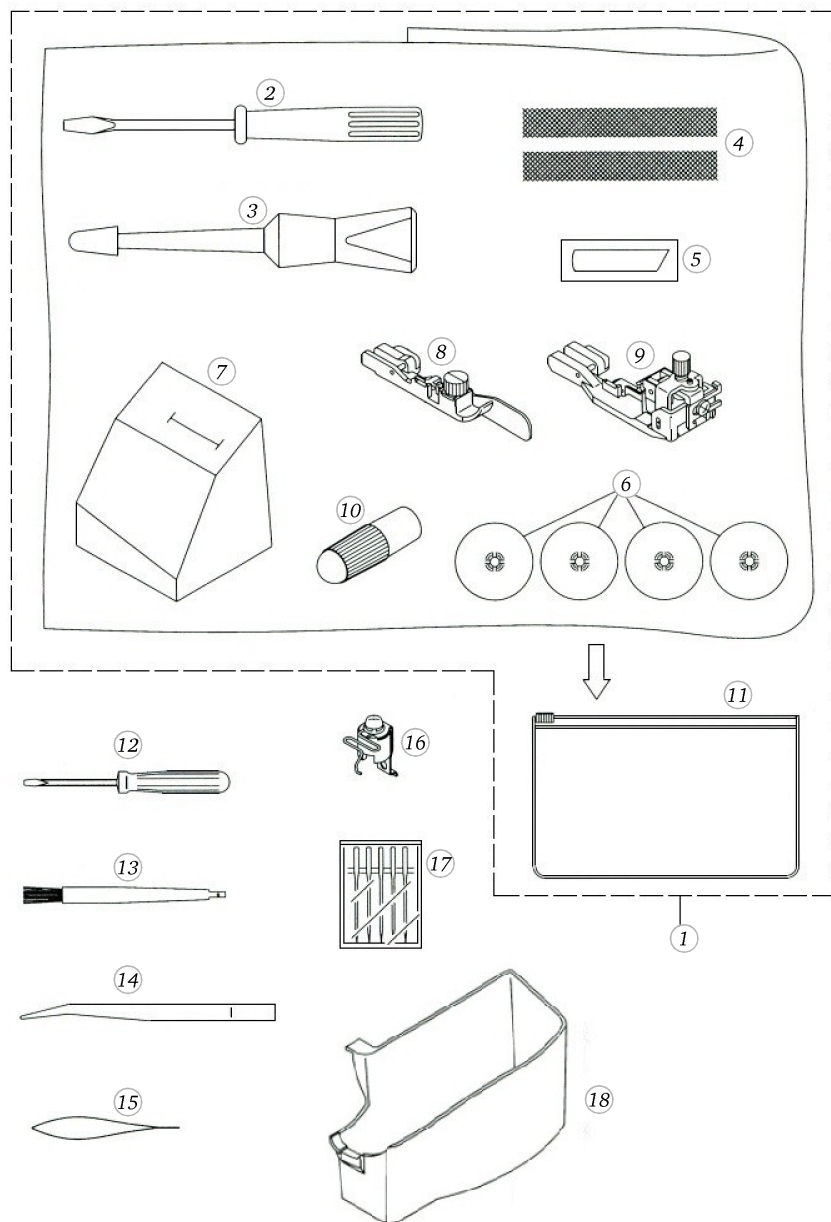
Accessories (1100D)



Pos	Item number	Description	Supplier Part no.
1	5020105537	ACCESSORY BAG(1100D	A91201100A0
2	5020100669	SCREW DRIVER(MEDIUM)	A9103102000
3	5020100670	OILER (ASM.)	A91041020A0
4	5020100684	NET	A9116335000
5	5020102052	LOWER KNIFE WITH PACK	J50191103
6	5020105535	THREAD SPOOL CAP	A9106776000B
7	5020105635	USE A9102800000	
8	5020107142	ACCESSORY BAG (ASM.)	
9	5020100680	SCREW DRIVER	A9110776000
10	5020107247	CLEANING BRUSH/NEEDLE INSERTER	J40065952
11	5020100678	TWEEZERS	A9109202000
12	5020100674	NEEDLE THREADER	A9107202000
13	5020100703	2/3THR.CONVERTER ASM.200DC	A91307770A0
14	5020100683	NEEDLE (ASM.)	A91147760A0

BERNINA 1100DA 230/240V

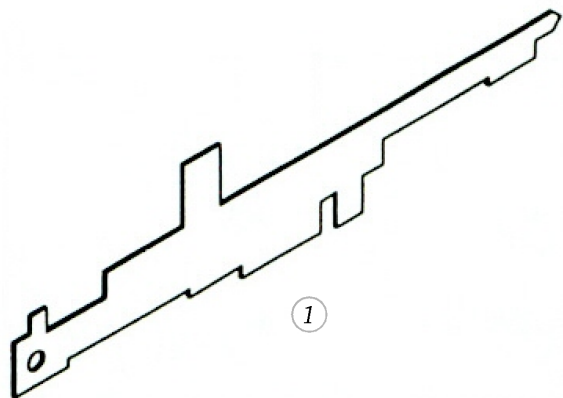
Accessories (1100DA)



Pos	Item number	Description	Supplier Part no.
1	5020105745	ACCESSORY BAG 1100DA	A912011A0A0
2	5020100669	SCREW DRIVER(MEDIUM)	A9103102000
3	5020100670	OILER (ASM.)	A91041020A0
4	5020100684	NET	A9116335000
5	5020102052	LOWER KNIFE WITH PACK	J50191103
6	5020105535	THREAD SPOOL CAP	A9106776000B
7	5020105635	USE A9102800000	
8	5020105746	BLIND STITCH PR.FOOT(ASM.)	A91406340B0
9	5020105640	ELASTICATOR ATT.1100D/DA	A91437760B0B
10	5020100685	LAMP REMOVER	A9118776000
11	5020107142	ACCESSORY BAG (ASM.)	
12	5020100680	SCREW DRIVER	A9110776000
13	5020107247	CLEANING BRUSH/NEEDLE INSERTER	J40065952
14	5020100678	TWEEZERS	A9109202000
15	5020100674	NEEDLE THREADER	A9107202000
16	5020100703	2/3THR.CONVERTER ASM.200DC	A91307770A0
17	5020100683	NEEDLE (ASM.)	A91147760A0
18	5020106237	CLOTH DUST BOX 1100D/DA 1150MDA 1200MDA	A9108110000A

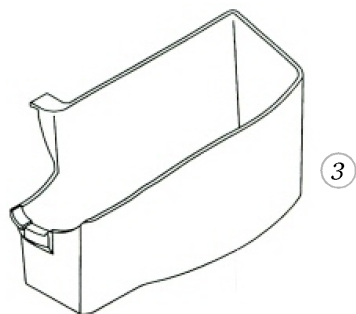
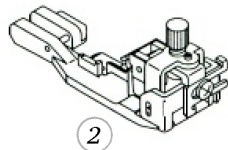
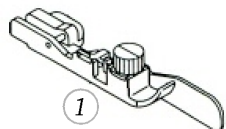
Gauges

Pos	Item number	Description	Supplier Part no.
1	5020105545	TIMING GAUGE 1100D/DA	A9199110000

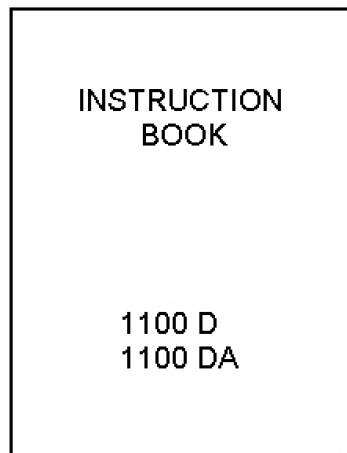


BERNINA 1100DA 230/240V

Optional parts (1100D)



Pos	Item number	Description	Supplier Part no.
1	5020105746	BLIND STITCH PR.FOOT(ASM.)	A91406340B0
2	5020105640	ELASTICATOR ATT.1100D/DA	A91437760B0B
3	5020106237	CLOTH DUST BOX 1100D/DA 1150MDA 1200MDA	A9108110000A

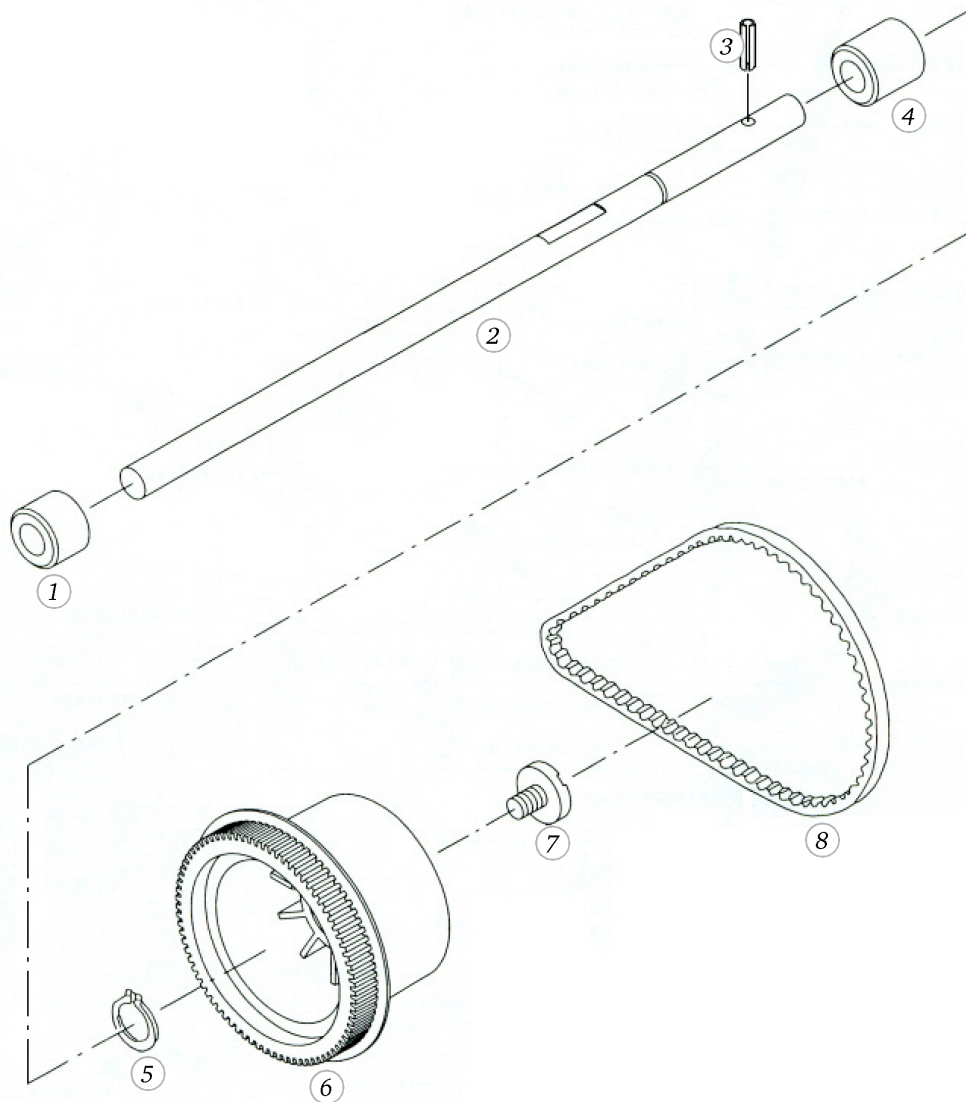


- ① GB
- ② D / F / I / NL
- ③ S / SF / DK / N

Pos	Item number	Description	Supplier Part no.
1	5020105538	INSTR.BOOK 1100D GB	A915011000A
2	5020105539	I/BOOK 1100D/DA D/F/I/NL	A915011000B
3	5020105540	I.BOOK S/SF/DK/N 1100D/DA	

Main shaft with hand wheel (New)

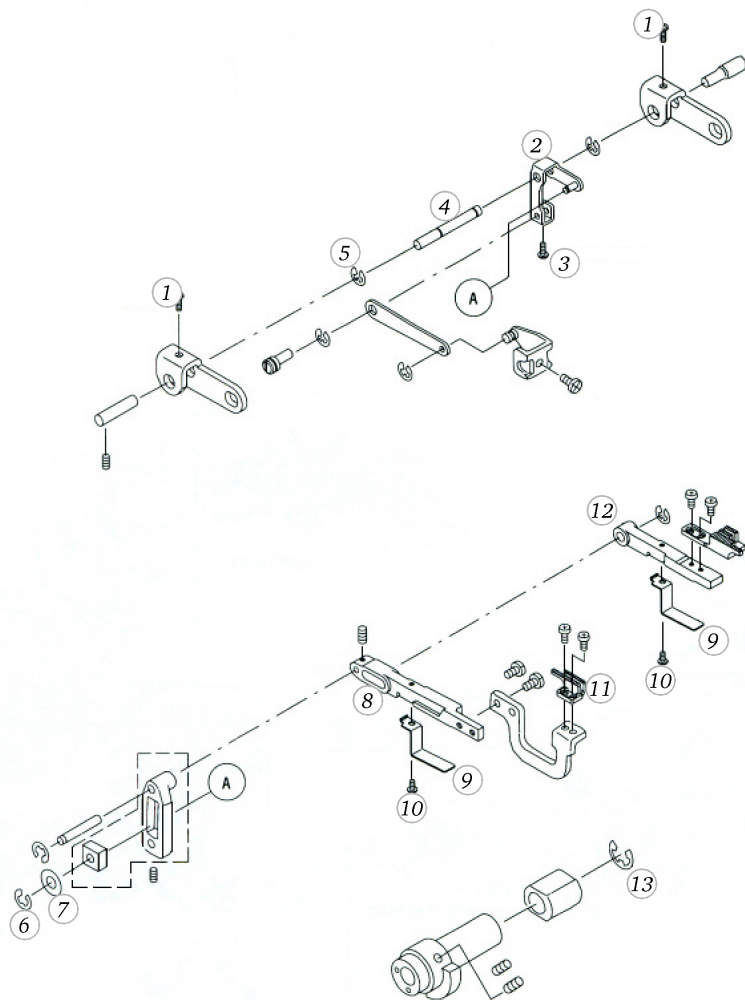
Pos	Item number	Description	Supplier Part no.
1	5020106816	MAIN SHAFT BUSHING GEAR	
2	5020107605	MAIN SHAFT	J40071771
3	5020100900	COILED PIN	
4	5020106815	MAIN SHAFT BUSHING GEAR	
5	5020100137	C-RING	A1206102000
6	5020106707	HANDWHEEL	A1202323000
7	5020100142	SCREW	A1230500000A
8	5020100136	TIMING BELT	A1205634000



BERNINA 1100DA 230/240V

Parts exclusive to 1100 D (#0900 515401~)
1100 DA (#0800 518663~)

Refer to the 1100 D/ 1100 DA parts list for parts not included in this list.

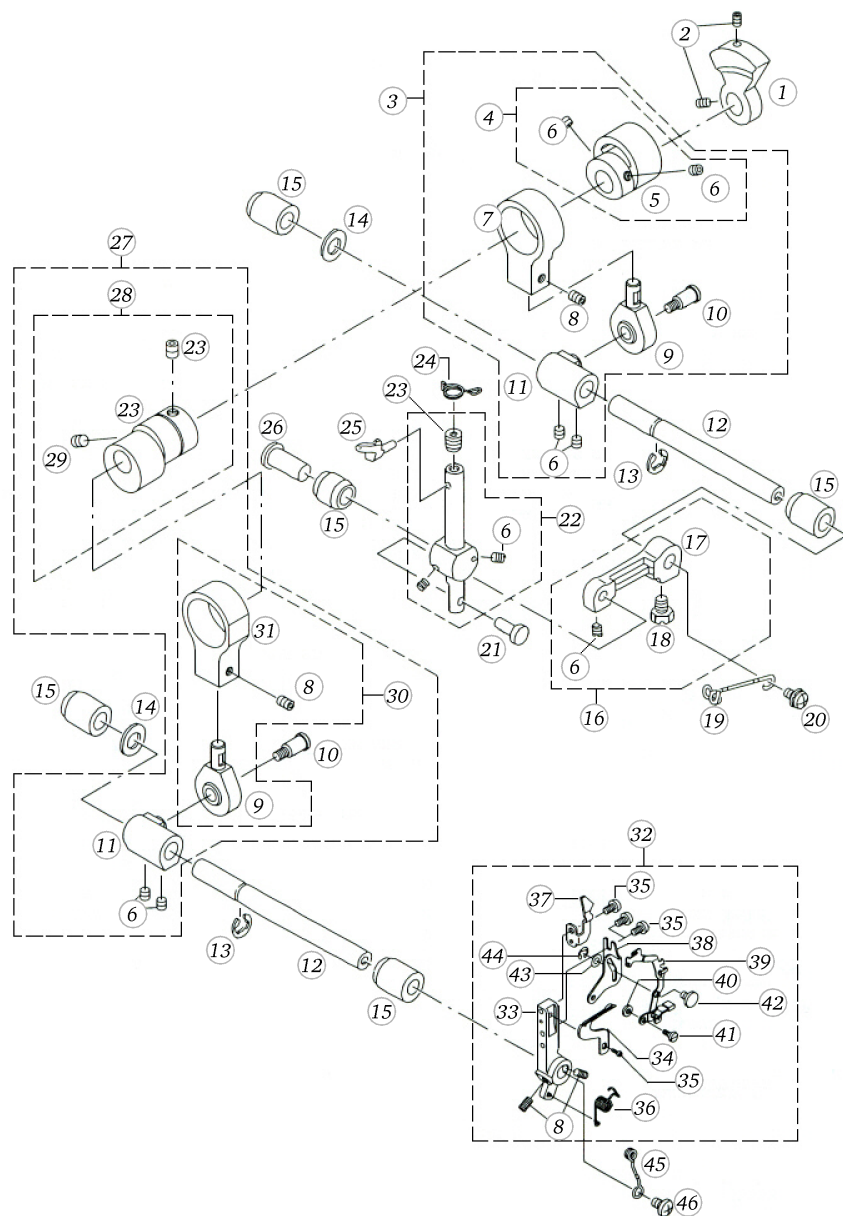


Feed dog unit (New)

Pos	Item number	Description	Supplier Part no.
1	5020100826	SCREW	
2	5020105881	SUB FEED ADJ.ARM(A)ASM.	A16618000A0
3	5020100825	SCREW	JSM5030855SN
4	5020105880	SUB FEED ADJ.ARM SHAFT	A1660800000
5	5020100796	E-RING	JRE0500000K0
6	5020100794	E-RING	JRE0300000K0
7	5020105317	WASHER	A1636534D00
8	5020105878	SUB FEED BASE	A1639800000
9	5020105877	FEED BASE SPRING	A1616030Z00
10	5020100817	SCREW	JSM4030655SP
11	5020106010	DIF. FEED DOG	A1648800000
12	5020105876	FEED BASE	A1625800000
13	5020106090	E-RING	JRE0900000KR

BERNINA 1100DA 230/240V

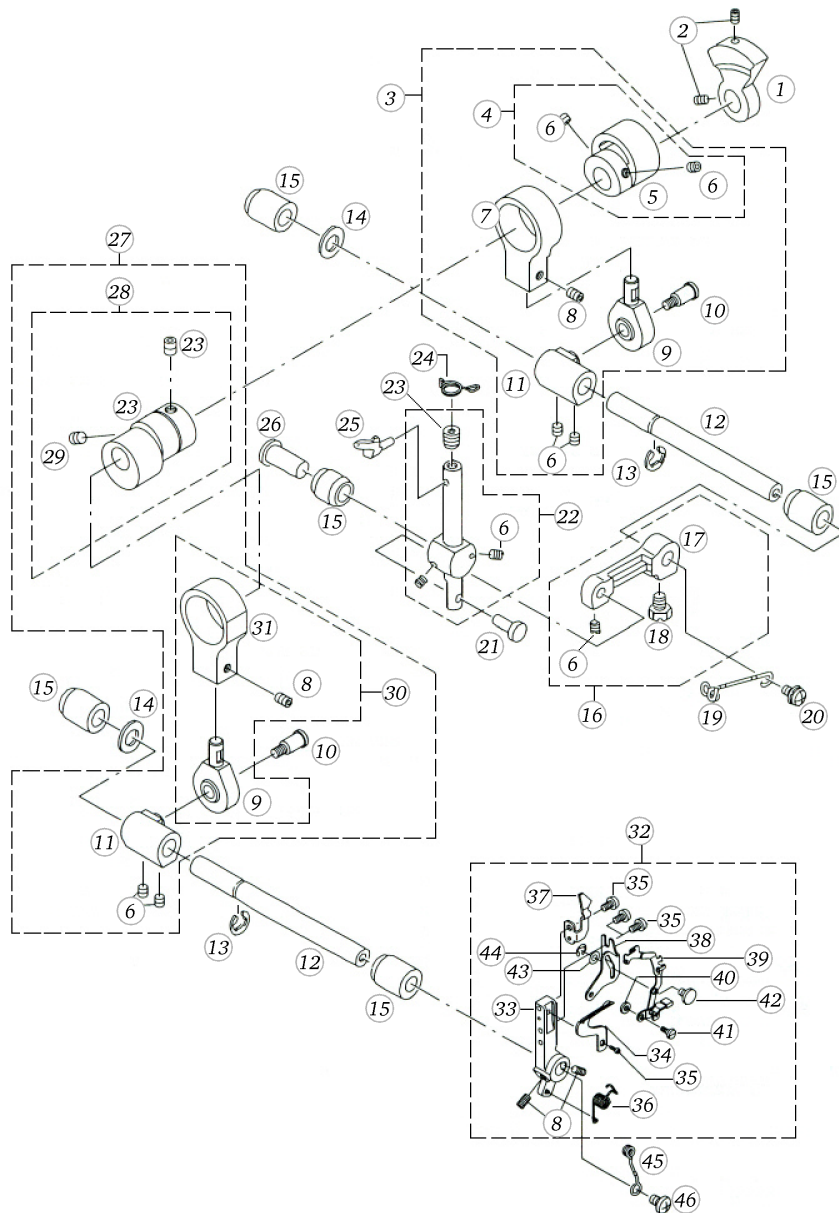
Feed regulation (New)



Pos	Item number	Description	Supplier Part no.
1	5020105401	LOOPER BALANCER	
2	5020100833	SCREW	JSM8030402TP
3	5020107595	UPPER LOOPER CAM CPL. 006D	40061961
4	5020107715	UPPER LOOPER CAM (ASM.)	J40079509
5	5020100348	UPPER LOOPER CAM	
6	5020100835	SCREW	JSM8040402TP
7	5020105400	LOWER LOOPER CAM(ASM.)	
8	5020100837	SCREW	JSM8040602TP
9	5020105785	BALL BEARING LINK	A2503776000
10	5020105946	SCREW	A2504776000
11	5020106828	UPPER LOOPER DRIV.SHAFT	A2505776000
12	5020106832	UPPER LOOPER SHAFT	A2521534000
13	5020100797	E-RING	
14	5020100854	WASHER	
15	5020106017	BUSHING	
16	5020106666	LOWER LOOPER SUPP.ARM	A25103340A0
17	5020105855	UP.LOOPER OSC.ARM	A2510334000
18	0000000999	(no longer available)	
19	5020105713	UPP.LOOPER THR.TAKE-UP(ASM.)	A25196340A0
20	5020100807	SCREW	JSL5040835SN
21	5020100407	PIN	A2529335000
22	5020105882	UPPER LOOPER SLIDE STUD ASM.	A25308000A0
23	5020100839	SCREW	JSM8050602TP
24	5020100397	UPPER LOOP.THREAD G	A25227760A0
25	5020100371	UPPER LOOPER 2000	A2512776000
26	5020106016	UPPER LOOPER GUIDE SHAFT	A2531534000A
27	5020106228	LOWER LOOPER ROD(ASM.)	A25155340A0B
28	5020105400	LOWER LOOPER CAM(ASM.)	
29	5020107406	LOWER LOOPER CAM	40079646
30	5020106315	LOOPER ARM CONNECTING(ASM.)	A25155340E0
31	5020106830	LOWER LOOPER ROD	A2515534000A
32	A25171100A0B	LOWER LOOPER SUPP. ARM (ASM.)	
33	5020106831	LOWER LOOPER SUPPORTING ARM	A251733500S
34	5020102101	LOWER LOOPER	J50197503

BERNINA 1100DA 230/240V

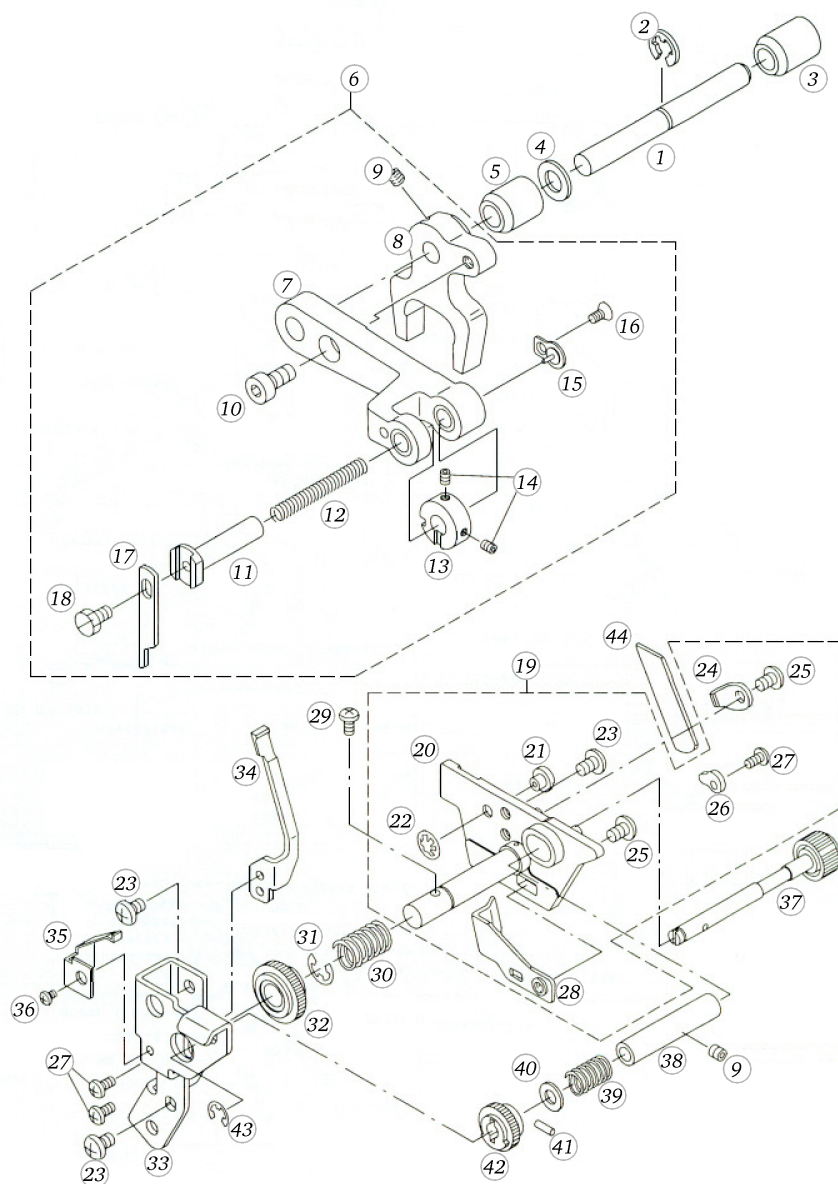
Feed regulation (New)



Pos	Item number	Description	Supplier Part no.
35	5020100824	SCREW	JSM5030655SN
36	5020105487	SPRING	A253733500SA
37	5020105714	REAR NEEDLE GUARD	A2536554000A
38	5020106834	Lower Looper Thr. Guide base	A253333500S
39	5020106733	UPPER LOOPER SLIDE SHAFT	A25345540B0A
40	5020100849	WASHER	JWP0320501SC
41	5020100409	SCREW	A253133500S
42	5020106833	CONNECTING PIN	
43	5020100426	WASHER	
44	5020100792	E-RING	JRE0200000K0
45	0000000999	(no longer available)	
46	5020100819	SCREW	JSM4040655SN

BERNINA 1100DA 230/240V

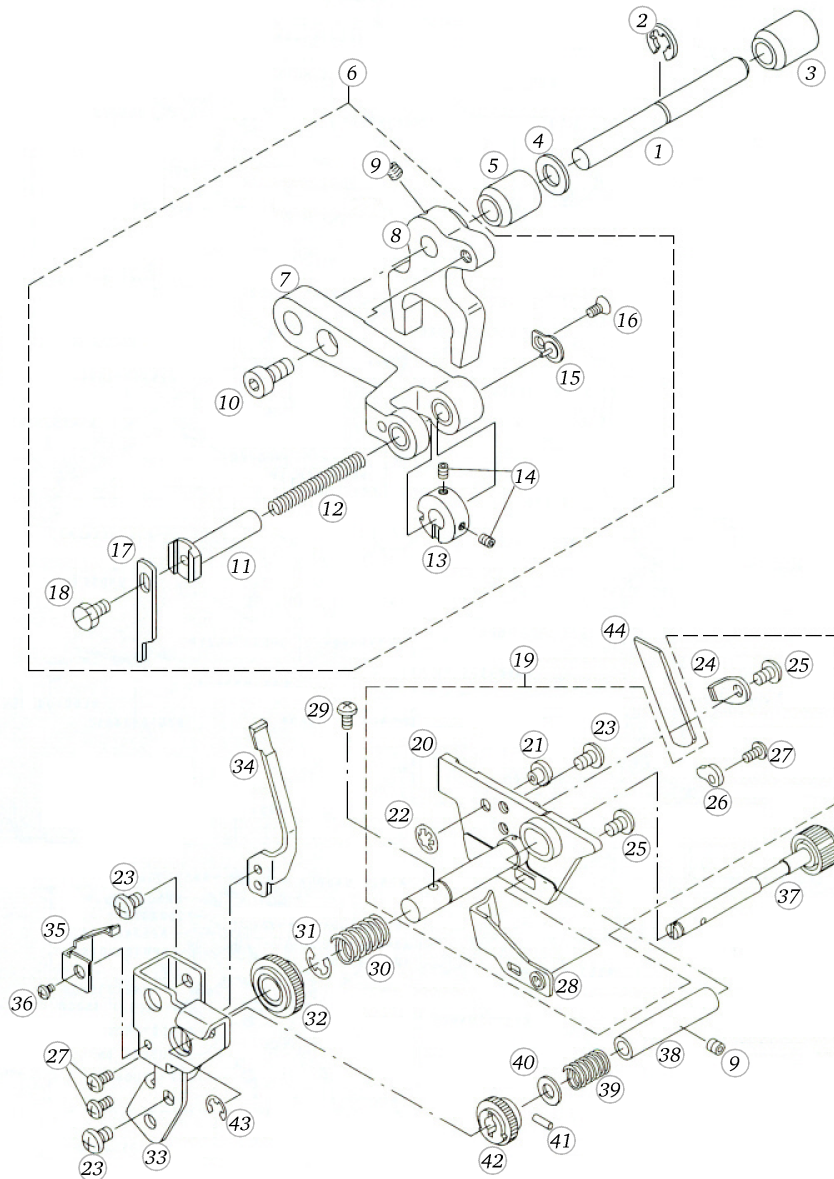
Thread cutting (New)



Pos	Item number	Description	Supplier Part no.
1	5020106050	UPPER KNIFE SHAFT	A4108535000
2	5020106089	E-RING	
3	5020106017	BUSHING	
4	5020100854	WASHER	
5	5020106011	UPPER KNIFE SHAFT FRONT BUSH	
6	5020106044	UPPER KNIFE DRIV.ARM(ASM.)	A41018000A0
7	5020100551	UPPER KNIFE DRIVING ARM	A4101503000C
8	5020107348	UPPER KNIFE DRIVING ARM	J40072483
9	5020100835	SCREW	JSM8040402TP
10	5020106108	SCREW	
11	5020100558	UPPER KNIFE HOLDER	A4103535000
12	5020100561	KNIFE PRESSER SPRING	A4106535000
13	5020100560	UPP.KNIFE TURNING KNOB	A4105776000A
14	5020100833	SCREW	JSM8030402TP
15	5020100562	KNIFE SPRING SUPP.PLATE(ASM.)	A41075020A0
16	5020100810	SCREW	
17	5020100594	UPPER KNIFE 2000	A4142335000
18	5020100843	SCREW	JSM9040803SD
19	5020105728	LOWER KNIFE HOLDER(MAS.ASM.)	A41211100B0
20	5020105512	LOWER KNIFE HOLDER (ASM.)	A41211100A0
21	A4149535000	CAM	
22	5020100544	LOCKNUT	
23	5020100819	SCREW	JSM4040655SN
24	5020100570	LOWER KNIFE PRESSER PLATE	A4123335000
25	5020106102	SCREW	JSM4040655SP
26	5020100571	LOWER KNIFE SUPP.PLATE	A4124335000
27	5020100817	SCREW	JSM4030655SP
28	A4147535000	PLATE	
29	5020106099	SCREW	
30	5020100589	LOWER KNIFE HOLDER SPRING	A4136335000
31	5020100796	E-RING	JRE0500000K0
32	5020105516	LOWER KNIFE ADJ.CAM	
33	5020105518	LOWER KNIFE ADJ.BASE	
34	5020100414	MOV.NEEDLE GUARD(FRONT)	

BERNINA 1100DA 230/240V

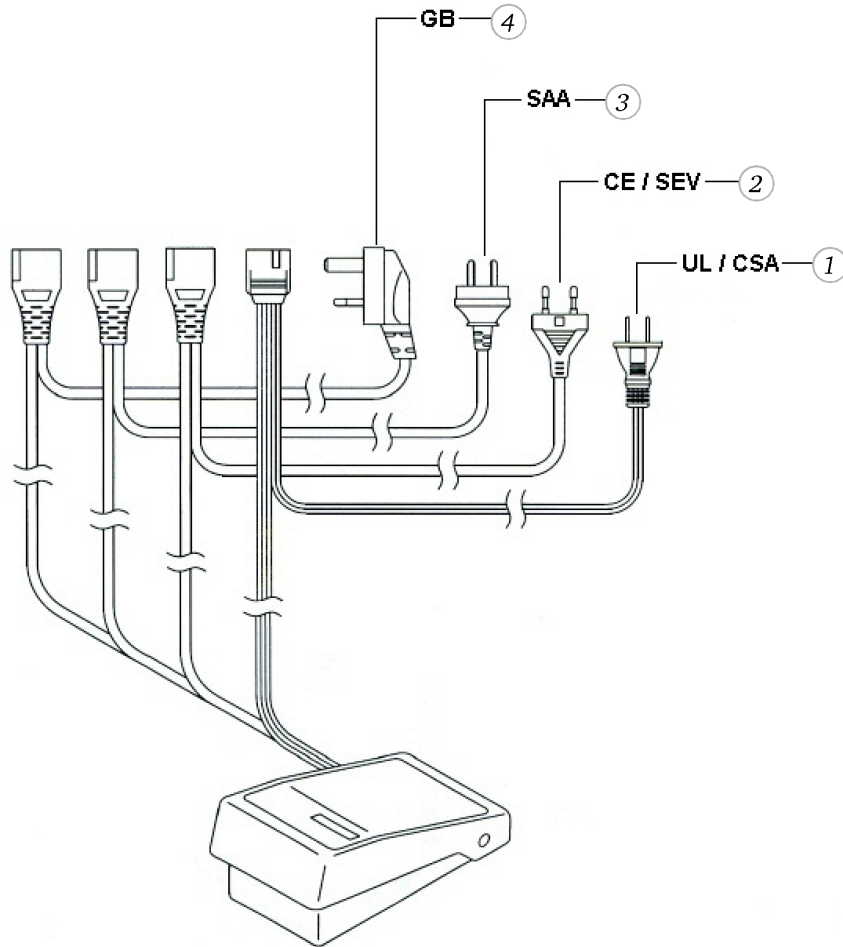
Thread cutting (New)



Pos	Item number	Description	Supplier Part no.
35	5020106061	LOWER KNIFE ADJ.CAM PRESSER SPRING	A4140535000
36	5020100816	SCREW	
37	5020105517	LOWER KNIFE ADJ.KNOB	
38	5020105514	LOWER KNIFE HOLD.SAHFT METAL	
39	A1633534D00	SPRING	
40	5020105334	WASHER	A31099DC000
41	5020105754	PIN	
42	5020105515	Lower knife adj. gear	A4127110000
43	5020100795	E-RING	JRE0400000K0
44	5020100595	LOWER KNIFE 2000	A4145335000

BERNINA 1100DA 230/240V

Foot controller (New)



Pos	Item number	Description	Supplier Part no.
1	5020109175	Foot controller UL/CSA	40166219
2	5020107074	FOOT CONTROLER VDE	A640111000AB
3	5020107075	FOOT CONTROLER SAA	A640111000BB
4	5020107076	FOOT CONTROLER BS	A640111000CB